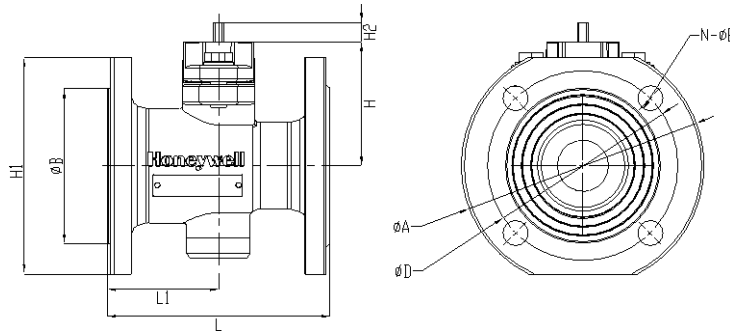


VBA16F...系列 两通法兰球阀

主要性能规范

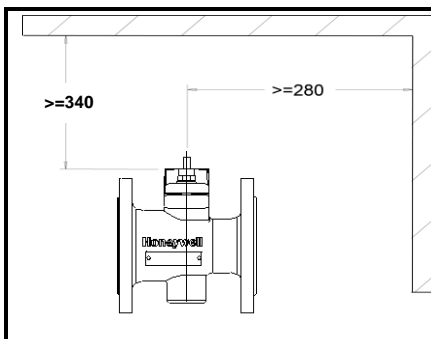
产品	VBA16F... 系列两通法兰球阀
额定转角	90°
公称压力	1.6MPa
工作温度	-5°C~ 120°C
介质	冷热水
安装位置	水平管路垂直安装或者垂直管路水平安装
端部连接	法兰标准 ISO7005-2

主要外形尺寸

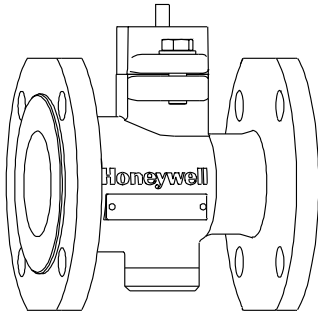


型号#	DN		L	L1	ØA	ØB	N-ØE	ØD	H	H1	H2
	mm	In									
VBA16F065	65	2 ½	170	85	185	118	4-19	145	103	165	15.2
VBA16F080	80	3	180	90	200	132	8-19	160	118	182	15.2
VBA16F100	100	4	190	95	220	156	8-19	180	130	200	15.6
VBA16F125	125	5	200	120	250	184	8-19	210	145	230	15.6
VBA16F150	150	6	210	130	285	211	8-23	240	163	265	15.6

安装说明



- 配管时要进行冲洗以确保管内无残留异物，建议在阀门前安装过滤器增加阀门安全功能。
- 不要让机器内部的流体结冻，否则可能会损伤阀本体，成为泄漏的原因。
- 安装时注意介质流向，确保阀门以正确的方向转动。
- 当在现场安装电动执行器时，先用扳手将阀杆转动数次，这种转动将会消除由于长期存放所产生的力矩。

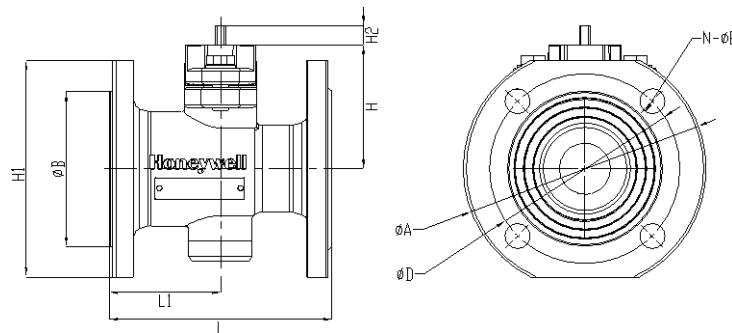


VBA16F... SERIES TWO-WAY FLANGED BALL VALVE

TECHNICAL SPECIFICATIONS

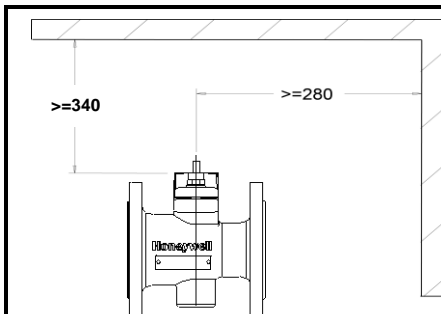
Product	VBA16F... Series Two-way Flanged Ball Valve
Rated Rotary Angle	90°
PN	1.6MPa
Working Temperature	-5°C~ 120°C
Medium	Chilled and Hot Water
Installation Station	Vertical installation of horizontal piping or horizontal installation of vertical piping
End Connections	Flange standard ISO7005-2

DIMENSIONS



OS#	DN		L	L1	ØA	ØB	N-ØE	ØD	H	H1	H2
	mm	In									
VBA16F065	65	2 ½	170	85	185	118	4-19	145	103	165	15.2
VBA16F080	80	3	180	90	200	132	8-19	160	118	182	15.2
VBA16F100	100	4	190	95	220	156	8-19	180	130	200	15.6
VBA16F125	125	5	200	120	250	184	8-19	210	145	230	15.6
VBA16F150	150	6	210	130	285	211	8-23	240	163	265	15.6

INSTALLATION INSTRUCTIONS



- Flush pipe so that no substance remains, Proposal installed filters before the valve for valve safety.
- Prevent fluid from freezing. This may cause equipment damage and fluid leakage.
- Pay attention to medium flow direction, make sure the valve to move in the proper direction.
- When mounting the actuator in the fields, before installing the actuator, use an adjustable wrench to manually rotate the valve stem several times. This rotation breaks the torque that may have built up during long-term storage.