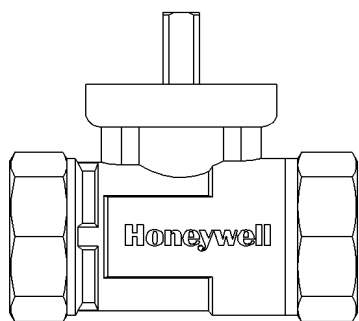


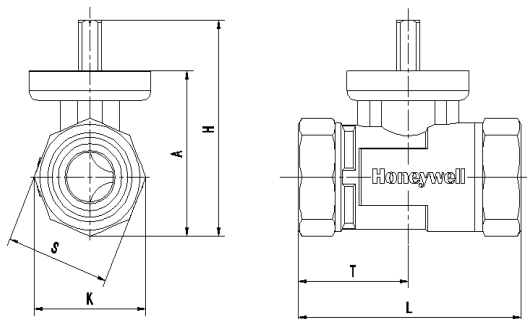
VBA16P 系列 两通螺纹球阀



主要性能规范

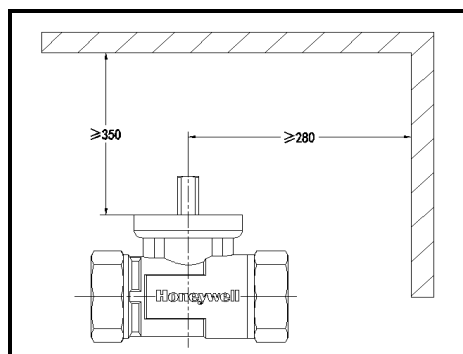
产品	VBA16P 系列两通螺纹球阀
额定转角	90°
公称压力	1.6MPa
工作温度	-5°C~ 120°C
介质	冷热水
安装位置	水平管路垂直安装或者垂直管路水平安装
端部连接	BSPP

主要外形尺寸

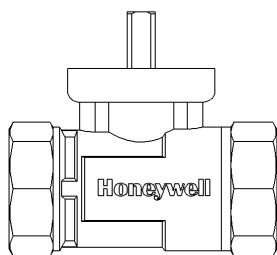


型号#	DN		L	T	K	S	A	H
	mm	In						
VBA16P020	20	¾	71	35.5	35.7	33	50	65
VBA16P025	25	1	78	39	45	41.5	56.5	71.5
VBA16P032	32	1 ¼	88	44	53	49	65	80
VBA16P040	40	1 ½	104	52	60	56	79	94
VBA16P050	50	2	120	60	75	70	90	105
VBA16P065	65	2 ½	115	63.5	91.5	85.5	109.5	125.7
VBA16P080	80	3	130	85	107	100	126.5	141.7

安装说明



- 配管时要进行冲洗以确保管内无残留异物，建议在阀门前安装过滤器增加阀门安全功能。
- 水应经过必要的处理，请参照 VDI 2035 的标准。
- 不要让机器内部的流体结冻，否则可能会损伤阀本体，成为泄漏的原因。
- 安装时注意介质流向，确保阀门以正确的方向转动。
- 当在现场安装电动执行器时，先用扳手将阀杆转动数次，这种转动将会消除由于长期存放所产生的力矩。

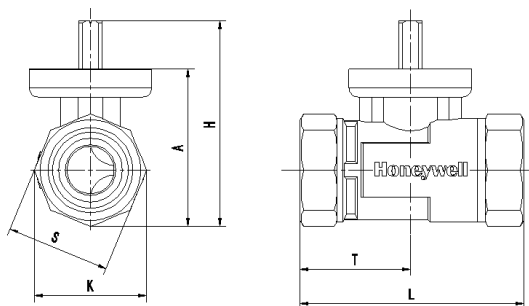


VBA16P SERIES TWO-WAY SCREWED BALL VALVE

TECHNICAL SPECIFICATIONS

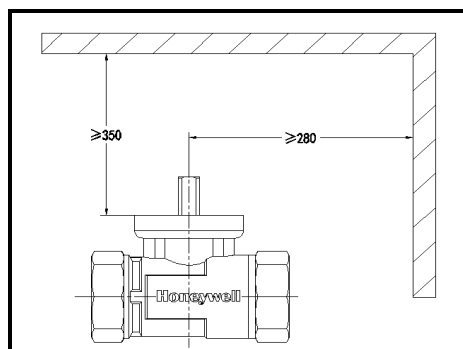
Product	VBA16P Series Two-way Screwed Ball Valve
Rated Rotary Angle	90°
PN	1.6MPa
Working Temperature	-5°C~ 120°C
Medium	Chilled and Hot Water
Installation Station	Vertical installation of horizontal piping or horizontal installation of vertical piping
End Connections	BSPP

DIMENSIONS



SKU#	DN		L	T	K	S	A	H
	mm	In						
VBA16P020	20	¾	71	35.5	35.7	33	50	65
VBA16P025	25	1	78	39	45	41.5	56.5	71.5
VBA16P032	32	1 ¼	88	44	53	49	65	80
VBA16P040	40	1 ½	104	52	60	56	79	94
VBA16P050	50	2	120	60	75	70	90	105
VBA16P065	65	2 ½	115	63.5	91.5	85.5	109.5	125.7
VBA16P080	80	3	130	85	107	100	126.5	141.7

INSTALLATION INSTRUCTIONS



- Flush pipe so that no substance remains, Proposal installed filters before the valve for valve safety.
- Proper water treatment is recommended; refer to VDI 2035 Standard.
- Prevent fluid from freezing. This may cause equipment damage and fluid leakage.
- Pay attention to medium flow direction, make sure the valve to move in the proper direction.
- When mounting the actuator in the fields, before installing the actuator, use an adjustable wrench to manually rotate the valve stem several times. This rotation breaks the torque that may have built up during long-term storage.

Honeywell Environmental and Combustion Controls (Tian Jin) Co., Ltd

No. 158, NanHai Road TEDA Tianjin, 300457, P.R.C.

Tel: (86-22) 6628 7000