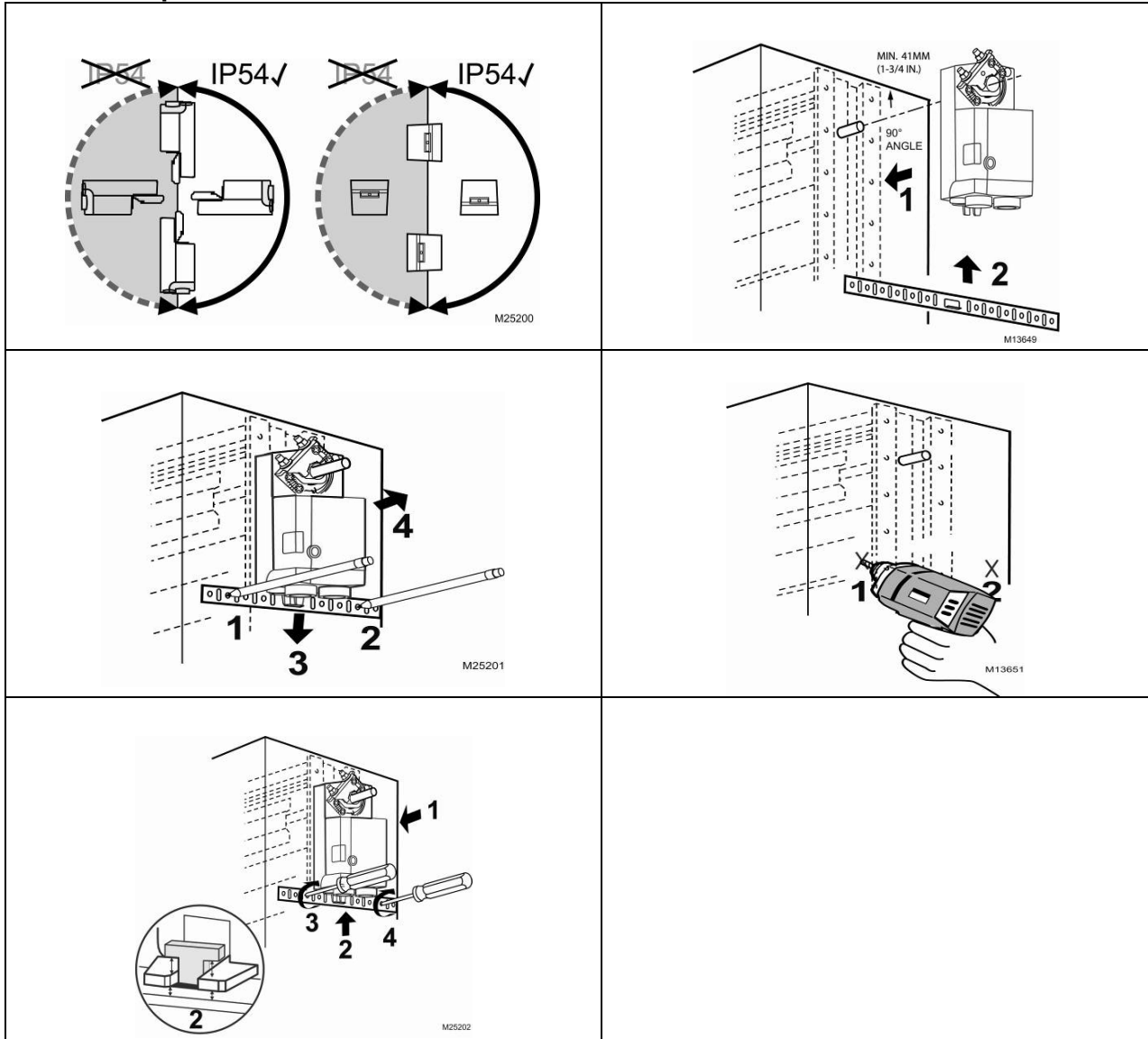


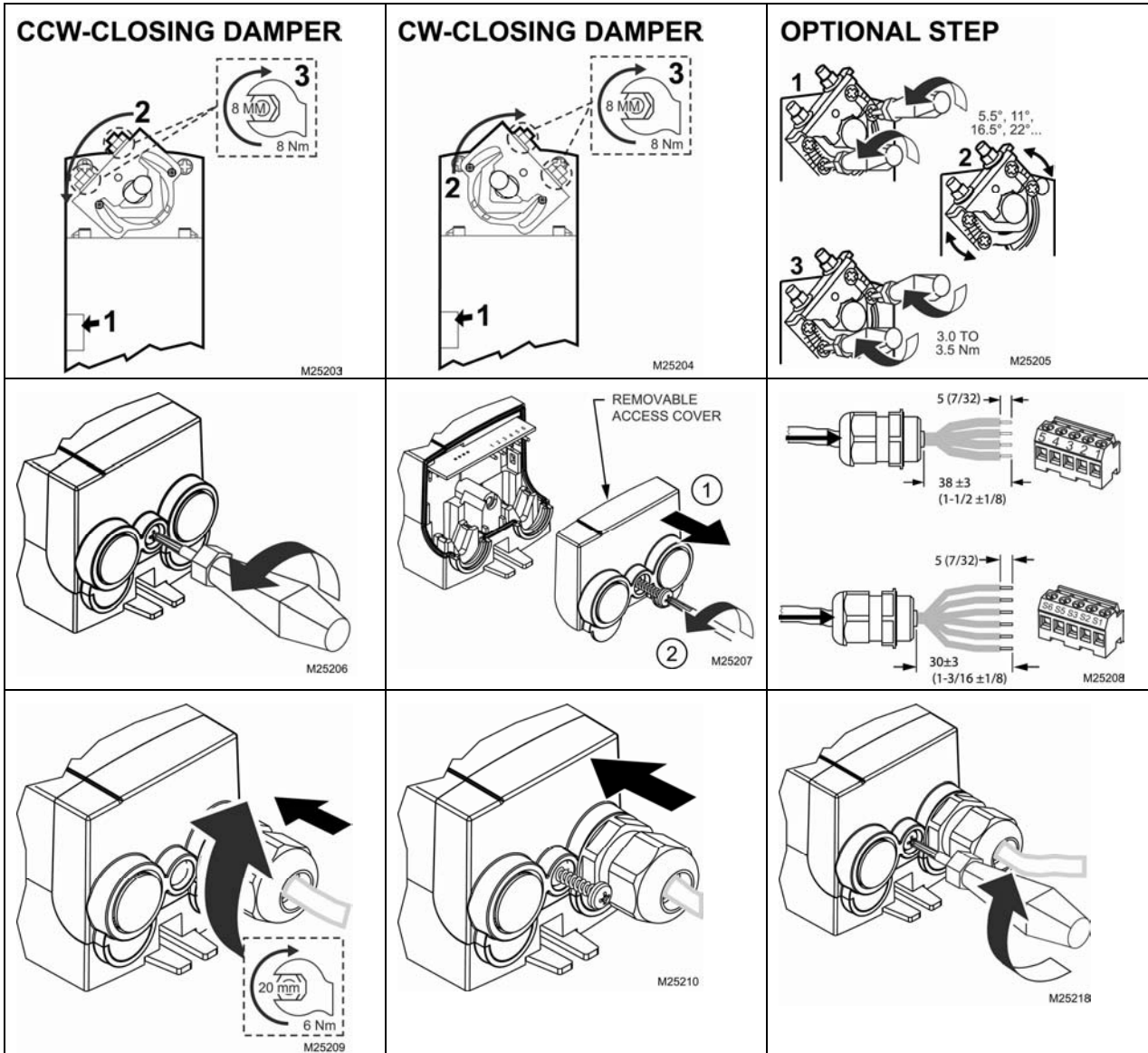
CN6105, CN6110, CN7505, CN7510 Non-Spring Return Direct Coupled Actuator

INSTALLATION INSTRUCTIONS

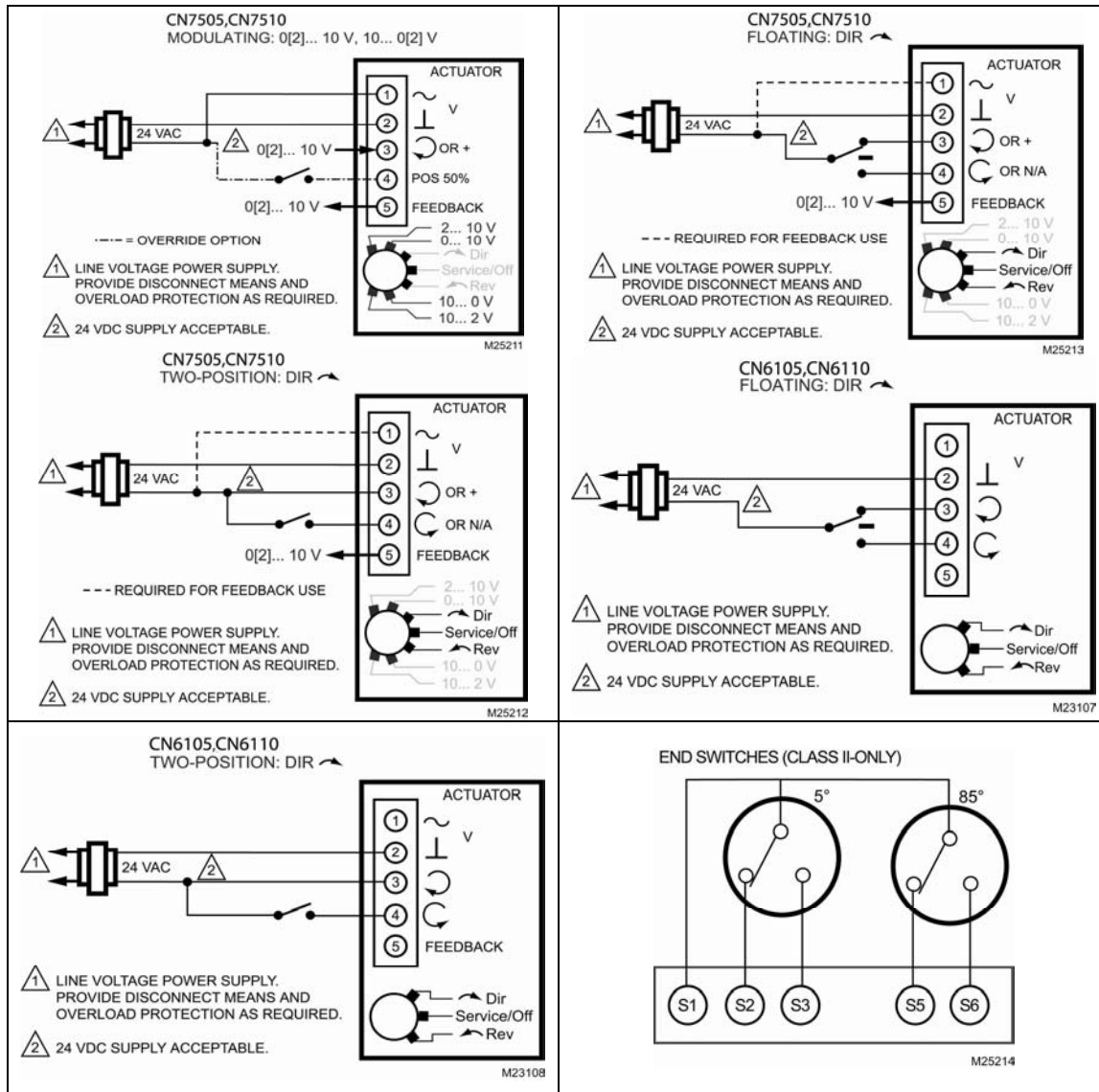
Disconnect power before installation.



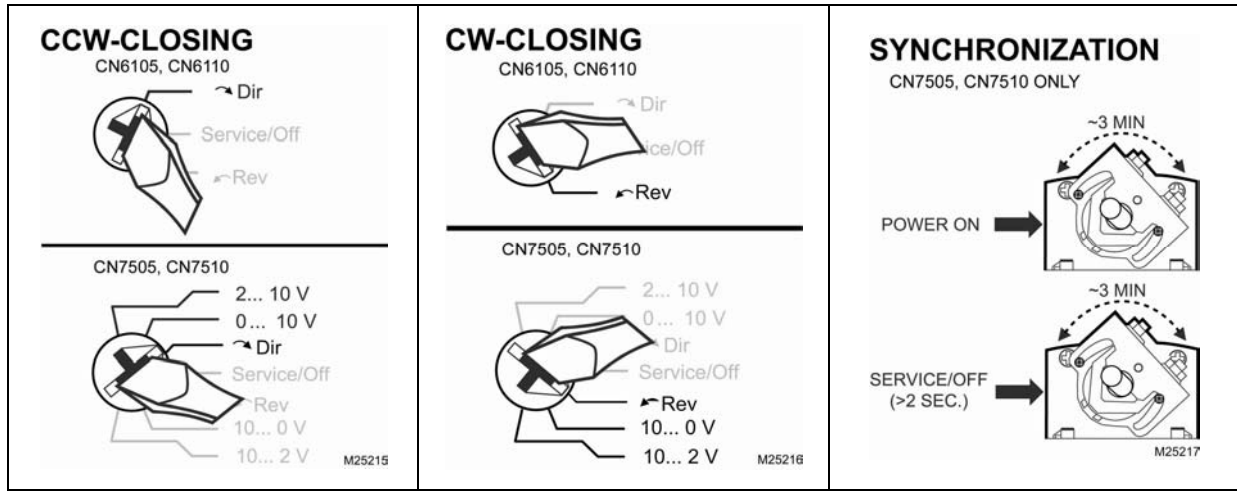
Mounting on Counterclockwise (CCW) or Clockwise (CW) Closing Damper



Wiring



Adjusting for Counterclockwise (CCW) or Clockwise (CW) Closing Damper/Synchronization



Security Considerations:

1. This device should be installed in locked cabinet, operated by authorized technician;
2. Don't connect with unauthorized device;
3. Access <https://www.honeywell.com/contact-us/vulnerability-reporting> for vulnerability reporting.

Automation and control solutions

Honeywell International Inc.
1985 Douglas Drive North
Golden Valley, MN 55422

Honeywell (Tianjin) Limited
66, BaiHe Road, TEDA.
Tianjin, P.R.C. 300457



® U.S. Registered Trademark
© 2006 Honeywell International Inc.

Printed in China