

Operating & Installation Instructions

WARNING!

Please read this operating instruction carefully and thoroughly before operating to ensure correct and efficient usage of this instrument. Failure to read this instruction in its entirety could possibly cause instrument failure and lead to possible damage or injury to the operator.

The instrument must be installed, removed, operated and maintained by an expert engineer or a trained technician.

All installation shall comply with local installation requirements and local safety regulations.

The actual pressure & temperature occurring must not exceed the values specified for Honeywell Differential Pressure transducers and transmitters.

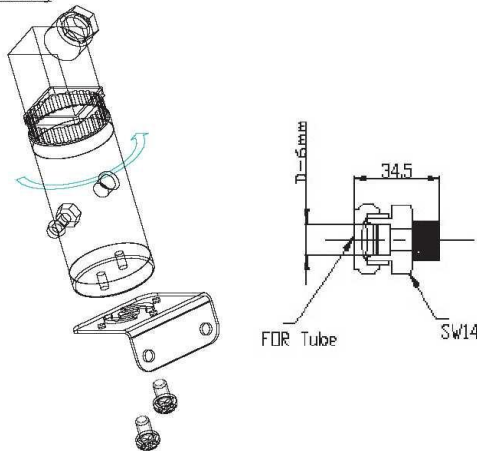
Never install or remove pressure transducer & transmitter under system pressure or circuit is alive.

For general usage and best results grounding of the shield/case is recommended. Ground the body of differential pressure transducer and transmitter before linking any electrical connection. When disconnecting, remove ground last.

This differential pressure transmitter and transducer can not be used in an explosion hazardous area. For such applications, please refer to Honeywell explosion-proof products.

Mechanical Installation

Mounting

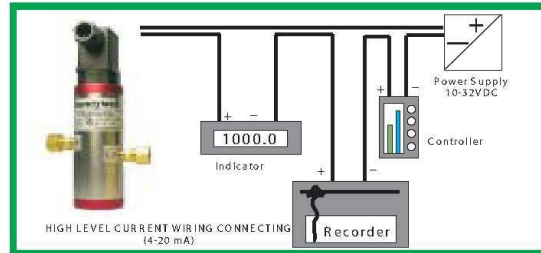


The differential pressure transducers and transmitters are recommended to mount in vertical location. Please be aware the balance of the differential transmitter. Un-balance of the transmitter may cause the location error. Please connect the high pressure to the HI port and low pressure to Lo port. It's unallowable to reverse connecting for HI and Lo connection. The wrong connecting may cause the damage of the sensors.

Electrical Installation

Current Output Unit

The differential pressure transmitter 4-20mA output units are designed to have current flow in one direction only. The maximum supply voltage for 4-20mA current output transmitter is 32VDC. The minimum supply voltage is dependent upon the loop resistance of the circuit. The load limitation chart shows the minimum supply voltage required for given loop resistance. We suggest that the electrical shield should be connected to the system' loop circuit ground to improve electrical noise rejection.

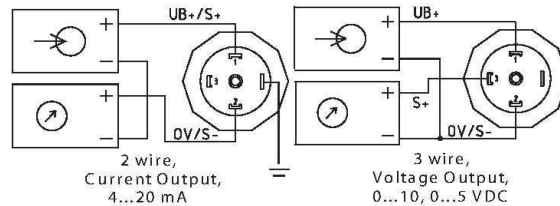


Noise

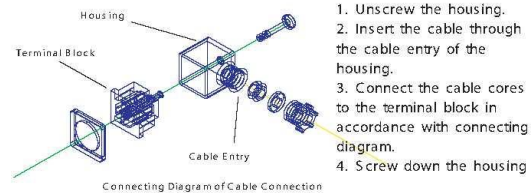
For minimum noise susceptibility, avoid installing the transducer and transmitter's cable in a conduit that may contains a high current AC power cables. If possible, avoid installing the cable near inductive equipments.

Wire Connecting

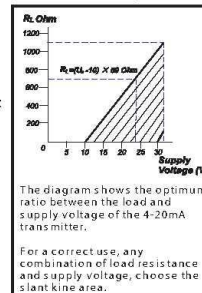
Connecting Diagram of DIN Connection



For DIN 43650 A electrical connector, please use the suitable size cable to avoid the humidity invaded. The overall diameter of the cable should be in 6-8mm. The cable entry should point downwards to avoid humidity ingress.



Load Resistance



Excitation(Power Supply)

The transmitter(current output) is a self-contained unit that is connected to a 10 to 32VDC power supply. For the transducer(voltage output), the proper power excitation is within the range 15 to 32VDC, and low power supply are available on request.

EC-conformity CE in request

The transmitter can meet the requirement of electromagnetic compatibility standard EN 50081 and EN 50082 (European directive: 89/33/EEC).