

HSH-E系列

室外温湿度传感器

霍尼韦尔HSH-E系列室外温湿度传感器可用于室外空气的温度和湿度测量

HSH-E系列室外温湿度传感器有多种控制信号输出，可以兼容于多种自动控制系统。



基本参数

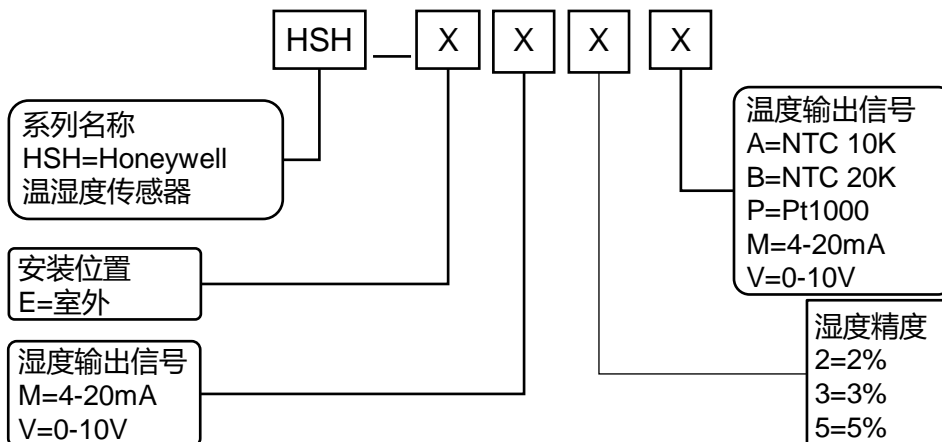
| | | |
|----------------------------------|--------------------------|--|
| 标准电阻 | NTC 10K | 10 k Ω @ 25 °C |
| | NTC 20K | 20 k Ω @ 25 °C |
| | PT1000 | 1000 Ω @ 0°C |
| 温度元器件精度 | NTC 10K | 0.3K @ 25°C |
| | NTC 20K | 0.3K @ 25°C |
| | PT1000 | 0.2K @ 0°C |
| | 0-10V | 0.3K @ 25°C, 输入电压24VDC (温度元器件为PT1000) |
| | 4-20mA | 0.3K @ 25°C, 输入电压24VDC (温度元器件为PT1000) |
| 测量温度范围 | -40°C~60°C | |
| 工作环境 | -40°C~70°C, 0~95%RH(非冷凝) | |
| 湿度精度 @ 25°C, 输入电压 24VDC | 2% | 20~80%: $\pm 2\%$; 0-95%: $\pm 3\%$ |
| | 3% | 20~80%: $\pm 3\%$; 0-95%: $\pm 5\%$ |
| | 5% | 20~80%: $\pm 5\%$; 0-95%: $\pm 9\%$ |
| 供电 | 0-10V | 24 VDC/24VAC $\pm 20\%$ |
| | 4-20mA | 24 VDC $\pm 20\%$ |
| IP等级 | IP65 | |
| 接线规格 | 0.33~1.65mm ² | |
| 储存环境 | -30 ~ 70 °C | |
| 外壳材料 | PC (防火等级: UL94-V0) | |

订货型号和技术参数

| 型号 | 湿度输出信号 | 湿度精度 | 温度输出信号 | 温度精度* |
|----------|--------|------|---------|-------------|
| HSH-EM2A | 4~20mA | 2% | 10K NTC | 0.3K @ 25°C |
| HSH-EM2B | 4~20mA | 2% | 20K NTC | 0.3K @ 25°C |
| HSH-EM2P | 4~20mA | 2% | PT1000 | 0.2K @ 0°C |
| HSH-EM2M | 4~20mA | 2% | 4~20mA | 0.3K @ 25°C |
| HSH-EM3A | 4~20mA | 3% | 10K NTC | 0.3K @ 25°C |
| HSH-EM3B | 4~20mA | 3% | 20K NTC | 0.3K @ 25°C |
| HSH-EM3P | 4~20mA | 3% | PT1000 | 0.2K @ 0°C |
| HSH-EM3M | 4~20mA | 3% | 4~20mA | 0.3K @ 25°C |
| HSH-EM5A | 4~20mA | 5% | 10K NTC | 0.3K @ 25°C |
| HSH-EM5B | 4~20mA | 5% | 20K NTC | 0.3K @ 25°C |
| HSH-EM5P | 4~20mA | 5% | PT1000 | 0.2K @ 0°C |
| HSH-EM5M | 4~20mA | 5% | 4~20mA | 0.3K @ 25°C |
| HSH-EV2A | 0~10V | 2% | 10K NTC | 0.3K @ 25°C |
| HSH-EV2B | 0~10V | 2% | 20K NTC | 0.3K @ 25°C |
| HSH-EV2P | 0~10V | 2% | PT1000 | 0.2K @ 0°C |
| HSH-EV2V | 0~10V | 2% | 0-10V | 0.3K @ 25°C |
| HSH-EV3A | 0~10V | 3% | 10K NTC | 0.3K @ 25°C |
| HSH-EV3B | 0~10V | 3% | 20K NTC | 0.3K @ 25°C |
| HSH-EV3P | 0~10V | 3% | PT1000 | 0.2K @ 0°C |
| HSH-EV3V | 0~10V | 3% | 0-10V | 0.3K @ 25°C |
| HSH-EV5A | 0~10V | 5% | 10K NTC | 0.3K @ 25°C |
| HSH-EV5B | 0~10V | 5% | 20K NTC | 0.3K @ 25°C |
| HSH-EV5P | 0~10V | 5% | PT1000 | 0.2K @ 0°C |
| HSH-EV5V | 0~10V | 5% | 0-10V | 0.3K @ 25°C |

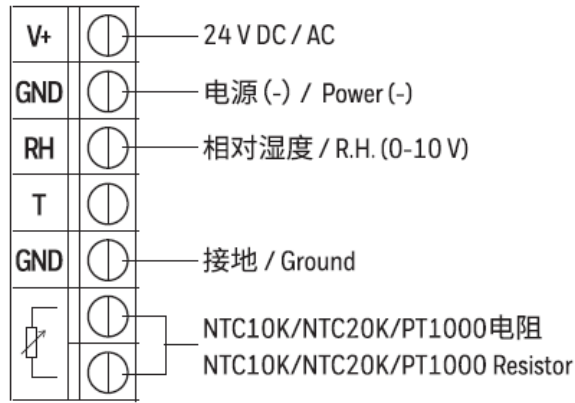
* 对于电阻输出类型传感器，温度精度为温度元器件精度，对于电流和电压信号输出类型传感器，温度精度为输入电压为24VDC时的变送器精度。

命名方式

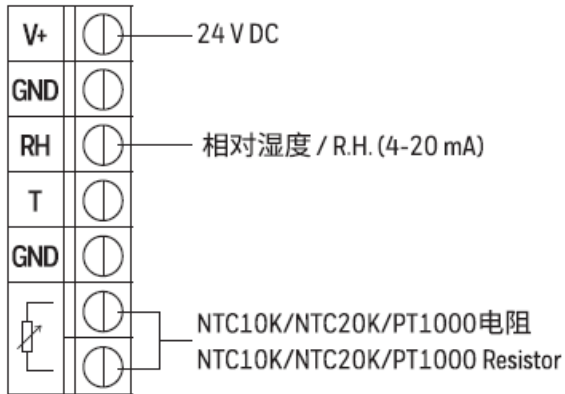


接线图

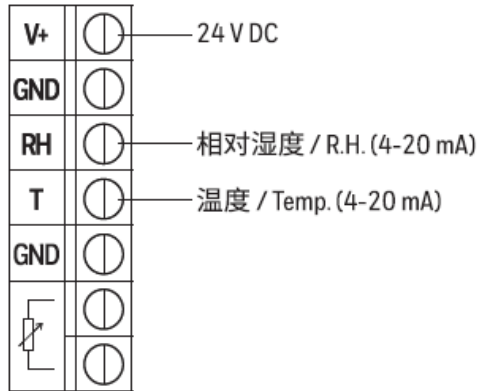
| 型号 |
|----------|
| HSH-EV2A |
| HSH-EV2B |
| HSH-EV2P |
| HSH-EV3A |
| HSH-EV3B |
| HSH-EV3P |
| HSH-EV5A |
| HSH-EV5B |
| HSH-EV5P |



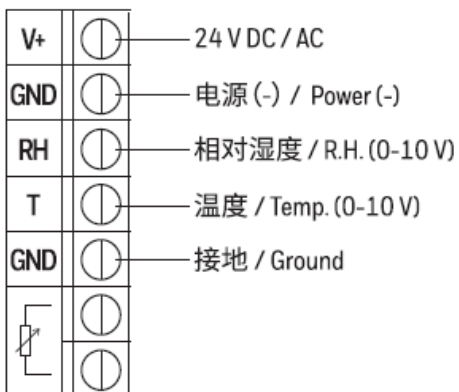
| 型号 |
|----------|
| HSH-EM2A |
| HSH-EM2B |
| HSH-EM2P |
| HSH-EM3A |
| HSH-EM3B |
| HSH-EM3P |
| HSH-EM5A |
| HSH-EM5B |
| HSH-EM5P |



| 型号 |
|----------|
| HSH-EM2M |
| HSH-EM3M |
| HSH-EM5M |



| 型号 |
|----------|
| HSH-EV2V |
| HSH-EV3V |
| HSH-EV5V |



说明:

1. 端子支持的线型为AWG15~22
2. 由于导线电阻的影响, 传感器到控制器的线缆长度会造成感温元件的温度偏移, 具体情况如下。

| 线型 | 允许长度 | PT1000 每10m偏移温度 | NTC10K / NTC20K 温度偏移 |
|--------|------|--------------------|-------------------------|
| AWG 22 | 50m | 0.272K | 可以忽略 |
| AWG 20 | 150m | 0.173K | |
| AWG 18 | 150m | 0.109K | |
| AWG 17 | 150m | 0.086K | |
| AWG 16 | 300m | 0.069K | |
| AWG 15 | 300m | 0.054K | |

外形尺寸

单位: mm

