

# HSP2-W系列

## 压力传感器

霍尼韦尔HSP2-W系列压力传感器主要用于中央空调水系统，以及其他温度，承压和接头材料性能匹配的液体或气体的压力测量。传感器下端的标准螺纹结构可以直接安装在管道上，高精度传感元器件直接与介质接触进行压力测量。



### 产品特性

- 高精度高品质传感元器件
- 紧凑型设计
- 热性能佳
- 1米延长线，接线方便，保证整体的密封等级

### 基本参数

精度 (25°C+5°C)	±0.25%, ±0.5 %FS 和±1%FS
介质温度	-40~125°C
补偿温度	-10~+100°C (0~1MPa) -40~+125°C (其他量程)
工作环境	-40~125°C
储存环境	-40~100°C
IP等级	IP65
响应时间	≤5ms
过载压力	2倍额定压力量程
爆破压力	3倍额定压力量程
输出信号	0-10V, 4-20mA
电源	12-32VDC (0-10VDC输出); 8-32VDC (4-20mA输出)
接线	DIN43650A 1m延长线
材料	外壳金属部分: SS304 非金属部分: 塑料 (阻燃等级UL94-V0) 密封: HNBR

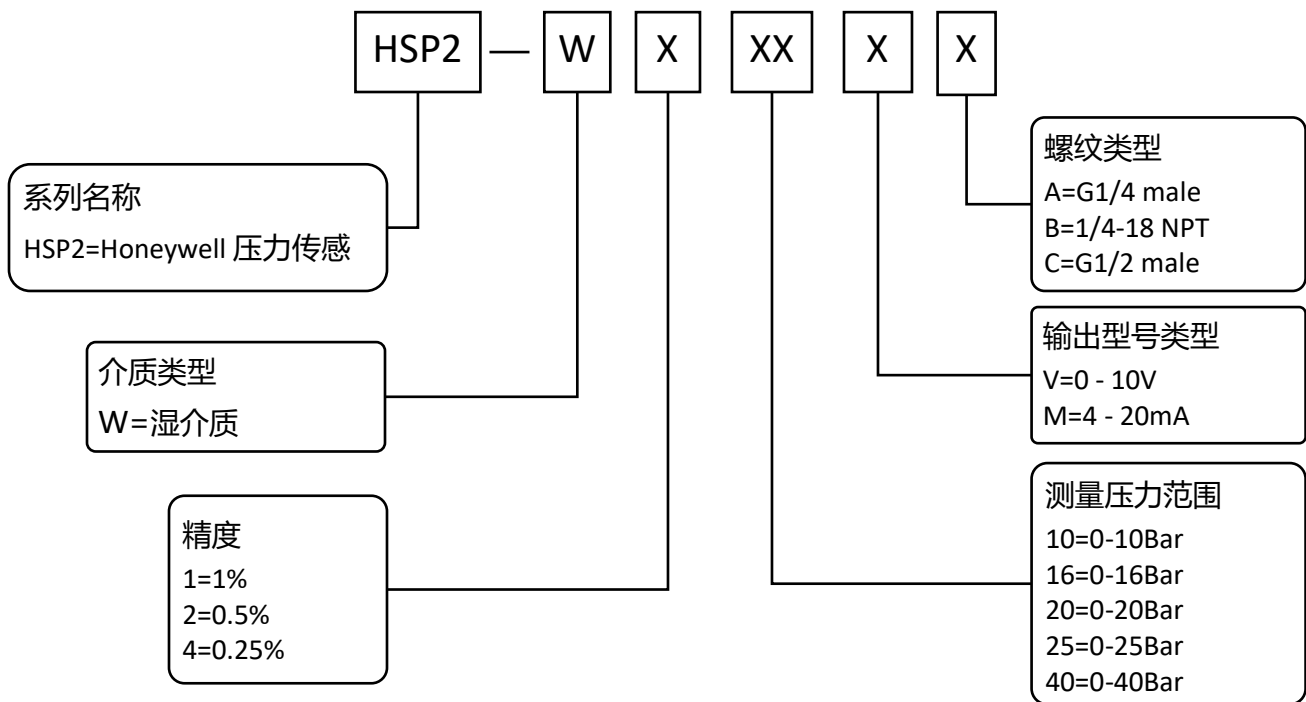
## 订货型号和技术参数

型号	精度	量程	输出信号	管道接口
HSP2-W110MA	1%	0~10Bar	4~20mA	G1/4 male
HSP2-W116MA	1%	0~16Bar	4~20mA	G1/4 male
HSP2-W120MA	1%	0~20Bar	4~20mA	G1/4 male
HSP2-W125MA	1%	0~25Bar	4~20mA	G1/4 male
HSP2-W140MA	1%	0~40Bar	4~20mA	G1/4 male
HSP2-W110VA	1%	0~10Bar	4~20mA	1/4-18 NPT
HSP2-W116VA	1%	0~16Bar	4~20mA	1/4-18 NPT
HSP2-W120VA	1%	0~20Bar	4~20mA	1/4-18 NPT
HSP2-W125VA	1%	0~25Bar	4~20mA	1/4-18 NPT
HSP2-W140VA	1%	0~40Bar	4~20mA	1/4-18 NPT
HSP2-W110MB	1%	0~10Bar	0~10V	G1/4 male
HSP2-W116MB	1%	0~16Bar	0~10V	G1/4 male
HSP2-W120MB	1%	0~20Bar	0~10V	G1/4 male
HSP2-W125MB	1%	0~25Bar	0~10V	G1/4 male
HSP2-W140MB	1%	0~40Bar	0~10V	G1/4 male
HSP2-W110VB	1%	0~10Bar	0~10V	1/4-18 NPT
HSP2-W116VB	1%	0~16Bar	0~10V	1/4-18 NPT
HSP2-W120VB	1%	0~20Bar	0~10V	1/4-18 NPT
HSP2-W125VB	1%	0~25Bar	0~10V	1/4-18 NPT
HSP2-W140VB	1%	0~40Bar	0~10V	1/4-18 NPT
HSP2-W210MA	0.5%	0~10Bar	4~20mA	G1/4 male
HSP2-W216MA	0.5%	0~16Bar	4~20mA	G1/4 male
HSP2-W220MA	0.5%	0~20Bar	4~20mA	G1/4 male
HSP2-W225MA	0.5%	0~25Bar	4~20mA	G1/4 male
HSP2-W240MA	0.5%	0~40Bar	4~20mA	G1/4 male

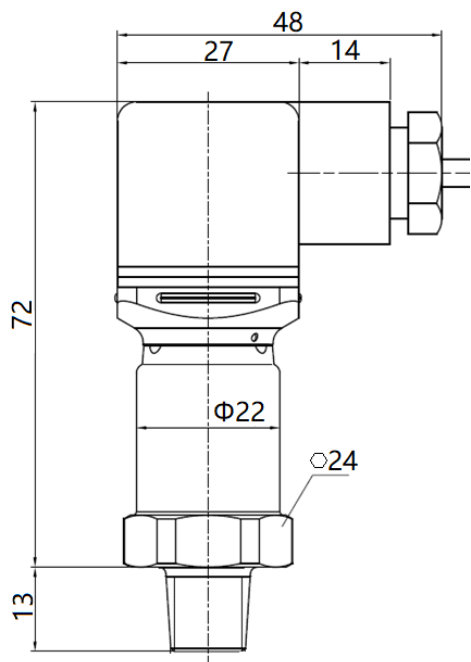
## 订货型号和技术参数

型号	精度	量程	输出信号	管道接口
HSP2-W210MB	0.5%	0~10Bar	4~20mA	1/4-18 NPT
HSP2-W216MB	0.5%	0~16Bar	4~20mA	1/4-18 NPT
HSP2-W220MB	0.5%	0~20Bar	4~20mA	1/4-18 NPT
HSP2-W225MB	0.5%	0~25Bar	4~20mA	1/4-18 NPT
HSP2-W240MB	0.5%	0~40Bar	4~20mA	1/4-18 NPT
HSP2-W210VA	0.5%	0~10Bar	0~10V	G1/4 male
HSP2-W216VA	0.5%	0~16Bar	0~10V	G1/4 male
HSP2-W220VA	0.5%	0~20Bar	0~10V	G1/4 male
HSP2-W225VA	0.5%	0~25Bar	0~10V	G1/4 male
HSP2-W240VA	0.5%	0~40Bar	0~10V	G1/4 male
HSP2-W210VB	0.5%	0~10Bar	0~10V	1/4-18 NPT
HSP2-W216VB	0.5%	0~16Bar	0~10V	1/4-18 NPT
HSP2-W220VB	0.5%	0~20Bar	0~10V	1/4-18 NPT
HSP2-W225VB	0.5%	0~25Bar	0~10V	1/4-18 NPT
HSP2-W240VB	0.5%	0~40Bar	0~10V	1/4-18 NPT
HSP2-W410VC	0.25%	0~10Bar	0~10V	G1/2 male
HSP2-W416VC	0.25%	0~16Bar	0~10V	G1/2 male
HSP2-W420VC	0.25%	0~20Bar	0~10V	G1/2 male
HSP2-W425VC	0.25%	0~25Bar	0~10V	G1/2 male
HSP2-W440VC	0.25%	0~40Bar	0~10V	G1/2 male
HSP2-W410MC	0.25%	0~10Bar	4~20mA	G1/2 male
HSP2-W416MC	0.25%	0~16Bar	4~20mA	G1/2 male
HSP2-W420MC	0.25%	0~20Bar	4~20mA	G1/2 male
HSP2-W425MC	0.25%	0~25Bar	4~20mA	G1/2 male
HSP2-W440MC	0.25%	0~40Bar	4~20mA	G1/2 male

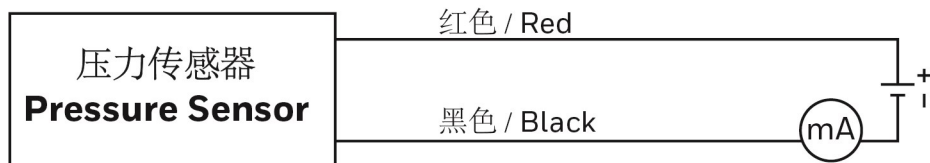
## 型号定义



## 外形尺寸和接线图



### 4-20mA输出



### 0-10V输出

