

M400&M800 Series

Thermoelectric linear actuator








Honeywell M400 & M800 Series Thermoelectric Linear Actuators are specially designed for short and linear stroke on/off valves, like actuated zone valves and on/off pressure independent control valves and more. With a slower running speed, the thermoelectric actuators can help to avoid water hammer effectively

Thermoelectric actuators have built-in wax propeller. When power is on, the paraffin propeller is heated and expands to make the push rod move up (NC* Version) or down (NO* version), which can open (NC version) or close (NO version) the valve. When the power is off, the built-in paraffin propeller cools and shrinks, and the built-in spring enables the push rod to move down (NC version) or up (NO version), close (NC version) or open (NO version) the valve.

M400 & M800 series thermoelectric linear actuators are spring-return actuators. The actuator and valve are easy to be installed. A 1 meter or 2.5 meters cable is included for convenient on-site connection.

* NC=Normally Closed, NO=Normally Open

Features

-  No mounting tools required (easily mounted using valve adapter)
-  Water-protected housing design in all mounting positions
-  Compact design allows installation in limited space
-  Visual indicator showing valve position
-  Noiseless operation
-  Reliable long-term operation
-  Overload protection (4 kV) for 230 V models



Basic Parameter

Thrust force	100~140N
Power	24VAC: 24VAC±10% 220VAC: 230VAC±10% 50/60Hz
IP rating	IP54
Wiring	Without auxiliary switch : 2*0.5mm ² With auxiliary switch : 4*0.5mm ²
Pigtail	None: 1 meter -2.5M: 2.5 meters
Connection for valves	M30 x 1.5
Operating environment	-5~60°C, 0~90%RH
Housing material	PA66+15%GF

Order information and parameters

SKU	Stroke	Action	Auxiliary switch	Power Voltage	Initial Current*	Permanent Current*	Power Consumption*	Running Time**
M400-AG M400-AG-2.5M	4.5mm	NC	NO	24VAC	<250mA	<100mA	2W	3.5±1.5min
M400-BG M400-Bg-2.5M	4.5mm	NC	NO	230VAC	<250mA	<10mA	2W	3.5±1.5min
M400-AO M400-AO-2.5M	4.5mm	NO	NO	24VAC	<250mA	<100mA	2W	3.5±1.5min
M400-BO M400-BO-2.5M	4.5mm	NO	NO	230VAC	<250mA	<10mA	2W	3.5±1.5min
M400-AGE M400-AGE-2.5M	4.5mm	NC	YES	24VAC	<250mA	<100mA	2W	3.5±1.5min
M400-BGE M400-BGE-2.5M	4.5mm	NC	YES	230VAC	<250mA	<10mA	2W	3.5±1.5min
M400-AOE M400-AOE-2.5M	4.5mm	NO	YES	24VAC	<250mA	<100mA	2W	3.5±1.5min
M400-BOE M400-BOE-2.5M	4.5mm	NO	YES	230VAC	<250mA	<10mA	2W	3.5±1.5min
M800-AG M800-AG-2.5M	8.0mm	NC	NO	24VAC	<300mA	<100mA	2W	3.5±1.5min
M800-BG M800-BG-2.5M	8.0mm	NC	NO	230VAC	<250mA	<10mA	2W	3.5±1.5min
M800-AO M800-AO-2.5M	8.0mm	NO	NO	24VAC	<300mA	<100mA	2W	3.5±1.5min
M800-BO M800-BO-2.5m	8.0mm	NO	NO	230VAC	<250mA	<10mA	2W	3.5±1.5min

* All values at nominal voltage 24 VAC, 230 VAC, 50 Hz, ambient temperature: 30 °C

** Value at ambient temperature: 30 °C , the first running time is longer than routine .

Order information and parameters

SKU	Stroke	Action	Auxiliary switch	Power Voltage	Initial Current*	Permanent Current*	Power Consumption*	Running Time**
M800-AGE M800-AGE-2.5M	8.0mm	NC	YES	24VAC	<300mA	<100mA	2W	3.5 ± 1.5min
M800-BGE M800-BGE-2.5M	8.0mm	NC	YES	230VAC	<250mA	<10mA	2W	3.5 ± 1.5min
M800-AOE M800-AOE-2.5M	8.0mm	NO	YES	24VAC	<300mA	<100mA	2W	3.5 ± 1.5min
M800-BOE M800-BOE-2.5M	8.0mm	NO	YES	230VAC	<250mA	<10mA	2W	3.5 ± 1.5min

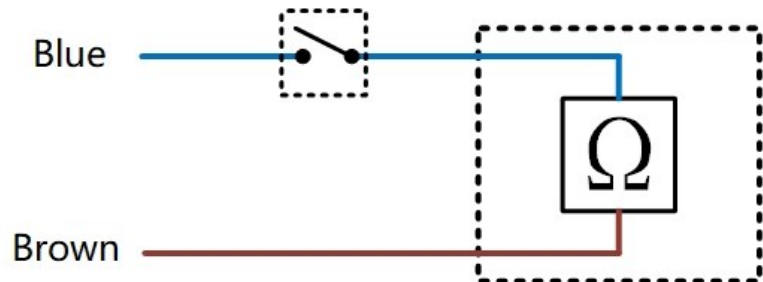
* All values at nominal voltage 24 VAC, 230 VAC, 50 Hz, ambient temperature: 30 °C

** Value at ambient temperature: 30 °C , the first running time is longer than routine .

Wiring diagram

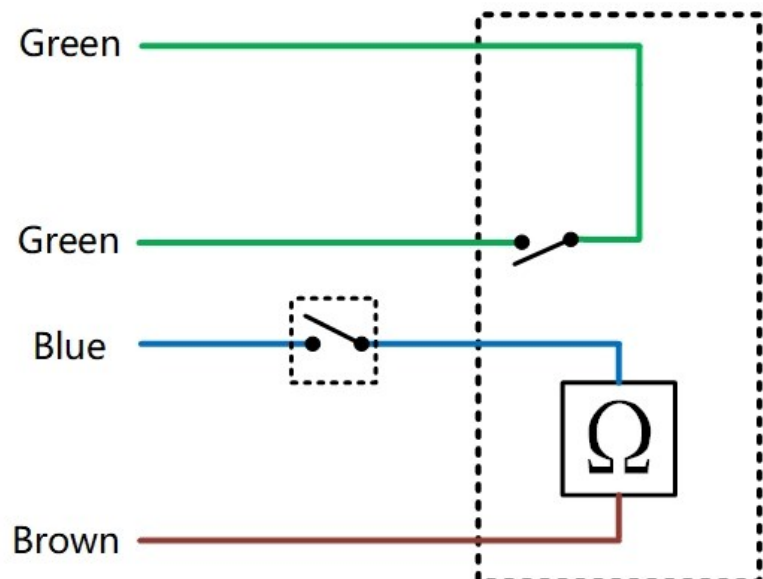
Without auxiliary switch

M400-AG	M800-AG
M400-BG	M800-BG
M400-AO	M800-AO
M400-BO	M800-BO

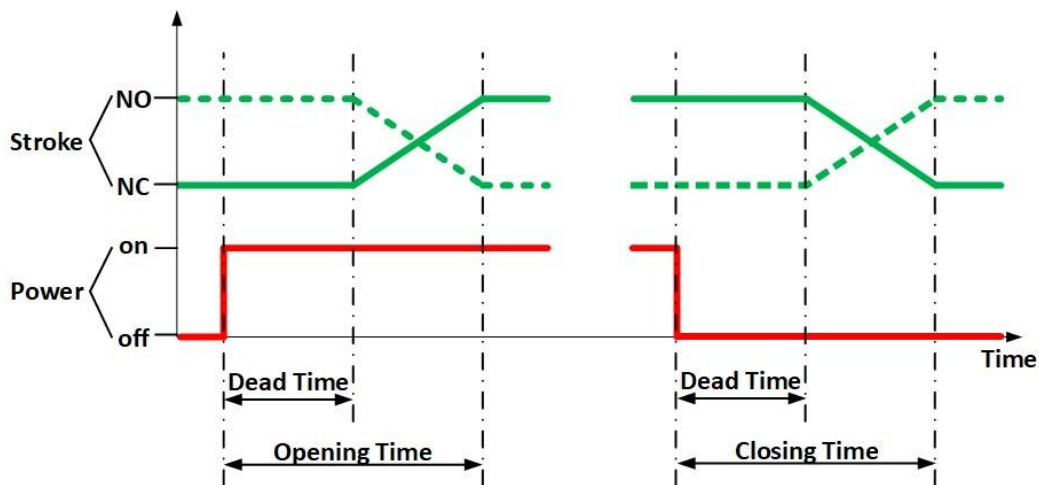


With auxiliary switch

M400-AGE	M800-AGE
M400-BGE	M800-BGE
M400-AOE	M800-AOE
M400-BOE	M800-BOE

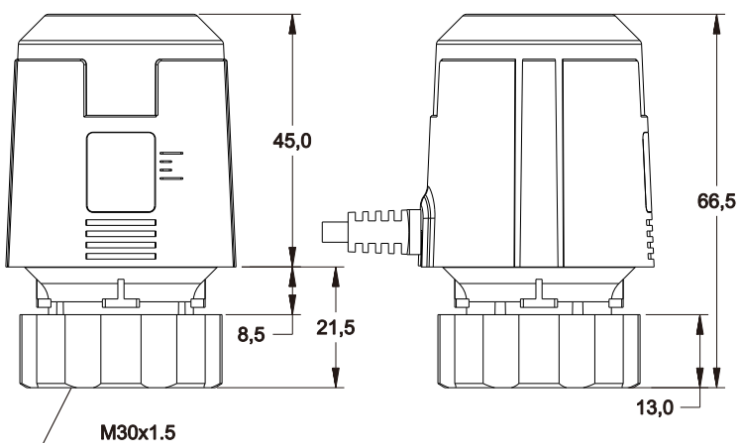


Open and Close time

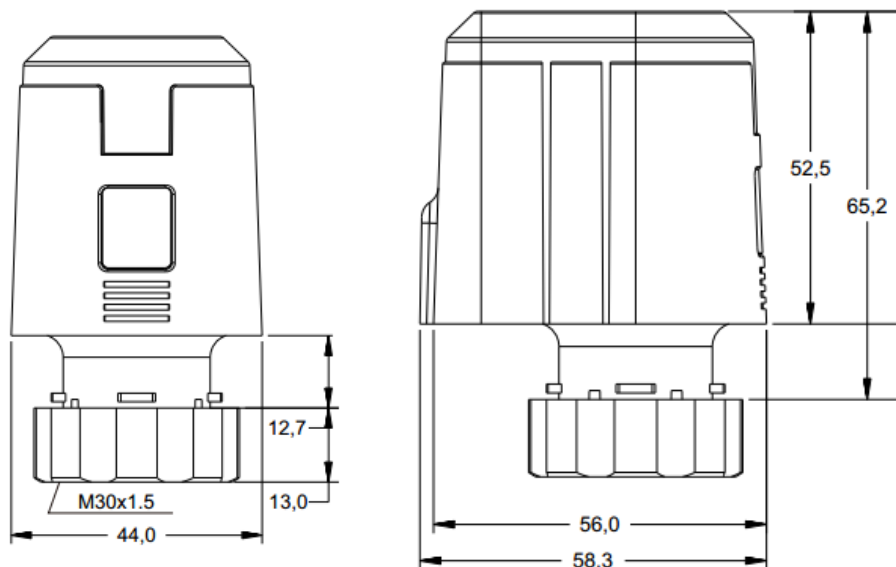


Dimension (mm)

M400-AG
M400-BG
M400-AO
M400-BO



M400-AGE	M800-AG	M800-AGE
M400-BGE	M800-BG	M800-BGE
M400-AOE	M800-AO	M800-AOE
M400-BOE	M800-BO	M800-BOE



Honeywell Environmental and Combustion Controls (Tianjin) Co., Ltd.

No. 158, Nanhai Road, Tianjin Economic-Technological Development Area

Postal Code: 300457

Tel: +86-22-66287000

© 2020 Honeywell, all rights reserved.

These documents are subject to change without further notice.

THE
FUTURE
IS
WHAT
WE
MAKE IT

Honeywell