

VN8 SERIES ELECTRIC CONTROL VALVES FOR FAN COIL UNITS

PRODUCT INFORMATION

SCOPE OF APPLICATION

VN8 series electric control valves can be used at home and in commercial buildings to control the flow of hot or cold liquid. Each set includes electric actuator and valve body.

The **VN8** series offer a wide range of options in voltages and thread standards according to the usage of different regions and provides two-way and three-way valve bodies to meet most of the requirements in buildings control.



TECHNICAL PARAMETERS

ACTUATOR

Operating power supply:	220VAC±10%, 110VAC±10% 24VAC±10%, 50/60Hz
Control mode:	Electric 3-wire on-off Non-spring return
Working temperature:	0~65°C
Working condition relative humidity:	10%~90%RH without condensate water
Power consumption:	≤6W (50Hz); ≤7.5W (60Hz)
Actuation time:	Switch on≤15s, switch off≤15s
Protection rating:	IP42

VALVE BODY

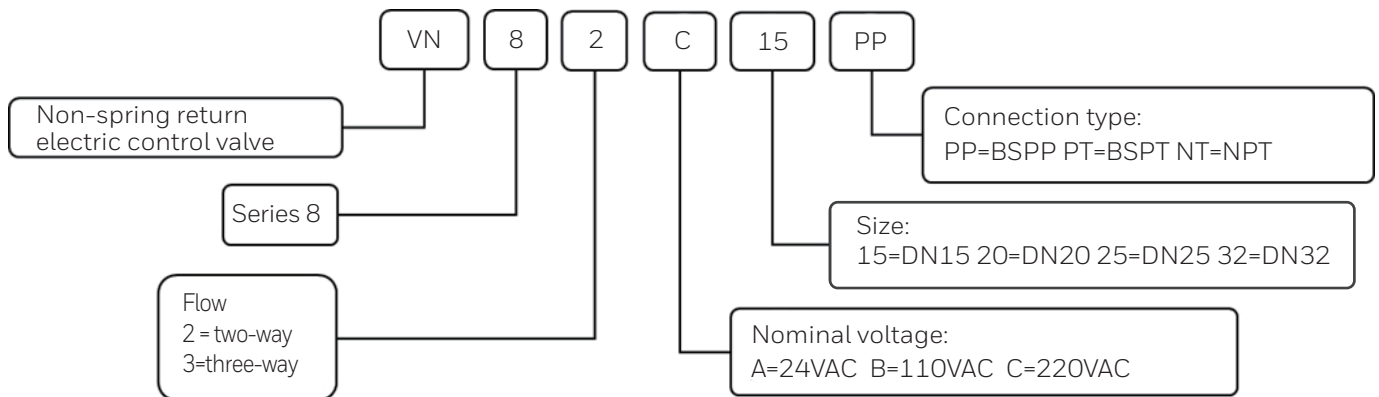
Applicable medium:	Cold, hot water or 50% glycol solution
Fluid temperature range:	0~94°C
Working temperature:	0~65°C
Working condition relative humidity:	10%~90%RH
Nominal pressure:	PN20
Leak-rate:	0.05%Kvs
Materials:	Valve body and ball — forging brass (HPb59-1) Valve rod — stainless steel (0Cr18Ni9) Valve seat — polytetrafluoroethylene (PTFE) O-sealing ring — Ethylene-Propylene-Diene Monomer (EPDM)

ORDERING PART NUMBERS (220Vac only shown as example)

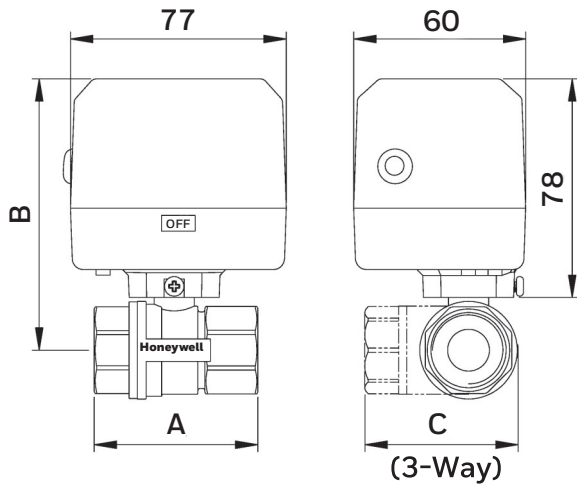
PART NUMBERS	VOLTAGE	FLOW	SIZE (diameter)	CONNECTION TYPE	NOMINAL FLOW RATING (Kvs)	CLOSE-OFF DIFFERENTIAL PRESSURE (PSI)	CLOSE-OFF DIFFERENTIAL PRESSURE (MPa)
VN82C15PP	220Vac±10%	2-way	DN15, 1/2"	BSPP	4.0±10%	87	0.6
VN82C15PT	220Vac±10%	2-way	DN15, 1/2"	BSPT	4.0±10%	87	0.6
VN82C15NT	220Vac±10%	2-way	DN15, 1/2"	NPT	4.0±10%	87	0.6
VN82C20PP	220Vac±10%	2-way	DN20, 3/4"	BSPP	7.0±10%	87	0.6
VN82C20PT	220Vac±10%	2-way	DN20, 3/4"	BSPT	7.0±10%	87	0.6
VN82C20NT	220Vac±10%	2-way	DN20, 3/4"	NPT	7.0±10%	87	0.6
VN82C25PP	220Vac±10%	2-way	DN25, 1"	BSPP	8.0±10%	87	0.6
VN82C25PT	220Vac±10%	2-way	DN25, 1"	BSPT	8.0±10%	87	0.6
VN82C25NT	220Vac±10%	2-way	DN25, 1"	NPT	8.0±10%	87	0.6
VN82C32PP	220Vac±10%	2-way	DN32, 1 1/4"	BSPP	10.0±10%	87	0.6
VN82C32PT	220Vac±10%	2-way	DN32, 1 1/4"	BSPT	10.0±10%	87	0.6
VN82C32NT	220Vac±10%	2-way	DN32, 1 1/4"	NPT	10.0±10%	87	0.6
VN83C15PP	220Vac±10%	3-way	DN15, 1/2"	BSPP	4.2±10%	87	0.6
VN83C15PT	220Vac±10%	3-way	DN15, 1/2"	BSPT	4.2±10%	87	0.6
VN83C15NT	220Vac±10%	3-way	DN15, 1/2"	NPT	4.2±10%	87	0.6
VN83C20PP	220Vac±10%	3-way	DN20, 3/4"	BSPP	8.0±10%	87	0.6
VN83C20PT	220Vac±10%	3-way	DN20, 3/4"	BSPT	8.0±10%	87	0.6
VN83C20NT	220Vac±10%	3-way	DN20, 3/4"	NPT	8.0±10%	87	0.6
VN83C25PP	220Vac±10%	3-way	DN25, 1"	BSPP	14.0±10%	87	0.6
VN83C25PT	220Vac±10%	3-way	DN25, 1"	BSPT	14.0±10%	87	0.6
VN83C25NT	220Vac±10%	3-way	DN25, 1"	NPT	14.0±10%	87	0.6
VN83C32PP	220Vac±10%	3-way	DN32, 1 1/4"	BSPP	14.0±10%	87	0.6
VN83C32PT	220Vac±10%	3-way	DN32, 1 1/4"	BSPT	14.0±10%	87	0.6
VN83C32NT	220Vac±10%	3-way	DN32, 1 1/4"	NPT	14.0±10%	87	0.6

Note: For other models, please consult our product department

PRODUCT IDENTIFICATION SYSTEM

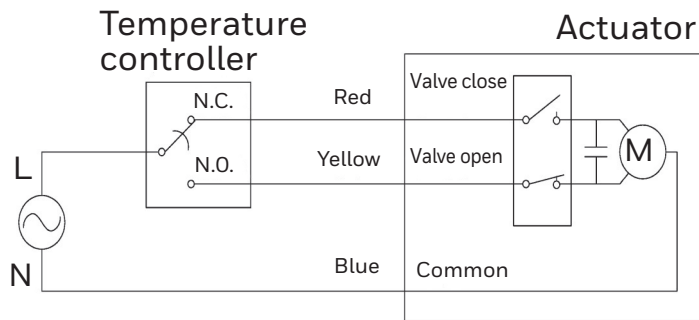


DIMENSION (mm)



PART NUMBERS	DIMENSION (mm)		
	A	B	C
VN82X15XX	51.5	100	—
VN83X15XX	56	100	42
VN82X20XX	60	100	—
VN83X20XX	67	100	53
VN82X25XX	66	105	—
VN83X25XX	83	105	62
VN82X32XX	77.5	105	—
VN83X32XX	87	105	72

WIRING DIAGRAM



Honeywell Environmental and
Combustion Controls (Tianjin) Co., Ltd.
 No. 158, Nanhai Road, Tianjin
 Economic-Technological Development Area
 Postal Code: 300457
 Tel: +86-22-66287000
 Fax: +86-22-25325214

All specifications are subject to change without notice.

HBT-G.C.-Building-VN8-Mar-2024-CN01

THE
 FUTURE
 IS
 WHAT
 WE
 MAKE IT

Honeywell