

Honeywell

电动二通阀 / 三通阀

VN8 系列安装说明书

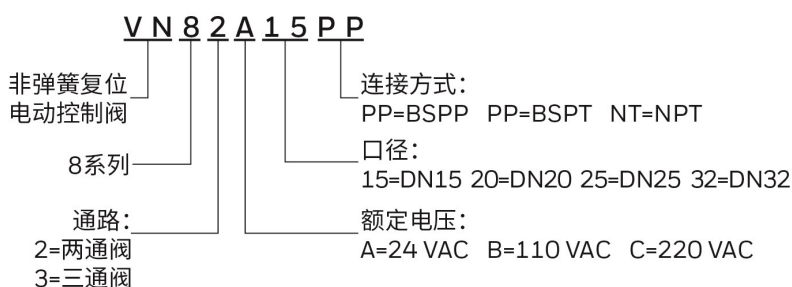
基本参数

执行器部分		阀体部分	
工作电源	220Vac±10%, 110Vac±10% 24Vac±10% 50/60Hz	适用介质	冷、热水或 50% 乙二醇溶液
控制方式	开关式(三线两控), 非弹簧复位功能	介质温度	0 °C – 94 °C
工作环境温度	0 °C – 65 °C	工作环境温度	0 °C – 65 °C
工作相对湿度	10% - 90%RH 无冷凝水	工作相对湿度	10% ~ 90%RH
功率	≤ 6 W (50 Hz); ≤ 7.5W (60 Hz)	运输存储温/湿度	-40 °C – 65 °C , 10% – 90%RH 无冷凝水
动作时间	开启: ≤ 15 s; 关闭: ≤ 15 s	公称压力	PN20
防护等级	IP42	材质	阀体和球体 — 锻造黄铜 (HPb59-1) 阀杆 — 不锈钢 (0Cr18Ni9) 阀座 — 聚四氟乙烯 (PTFE) O 形密封圈 — 三元乙丙橡胶 (EPDM)

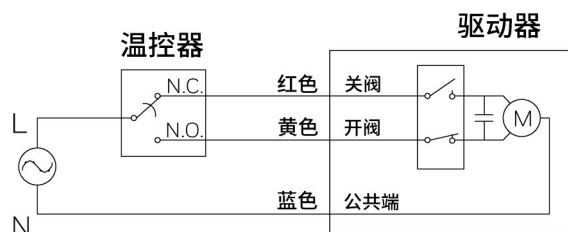
型号规格

型号	尺寸	规格	Kv值	关闭压力 PSI (MPa)
VN82X15XX	1/2" (15 mm)	二通	4.0 ± 10%	87 (0.6)
VN82X20XX	3/4" (20 mm)		7.0 ± 10%	
VN82X25XX	1" (25 mm)		8.0 ± 10%	
VN82X32XX	1-1/4" (32 mm)		10.0 ± 10%	
VN83X15XX	1/2" (15mm)	三通	4.2 ± 10%	
VN83X20XX	3/4" (20mm)		8.0 ± 10%	
VN83X25XX	1" (25mm)		14.0 ± 10%	
VN83X32XX	1-1/4" (32mm)		14.0 ± 10%	

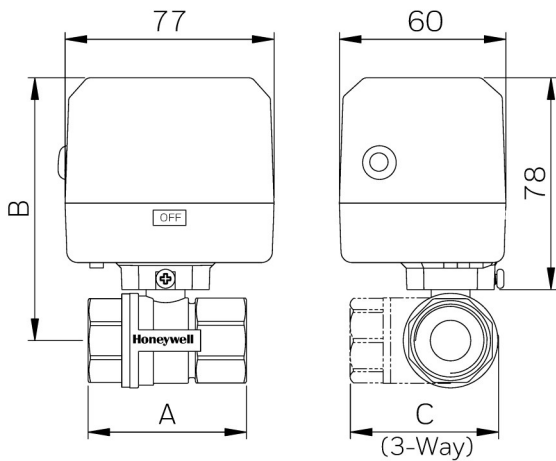
命名规则



接线图

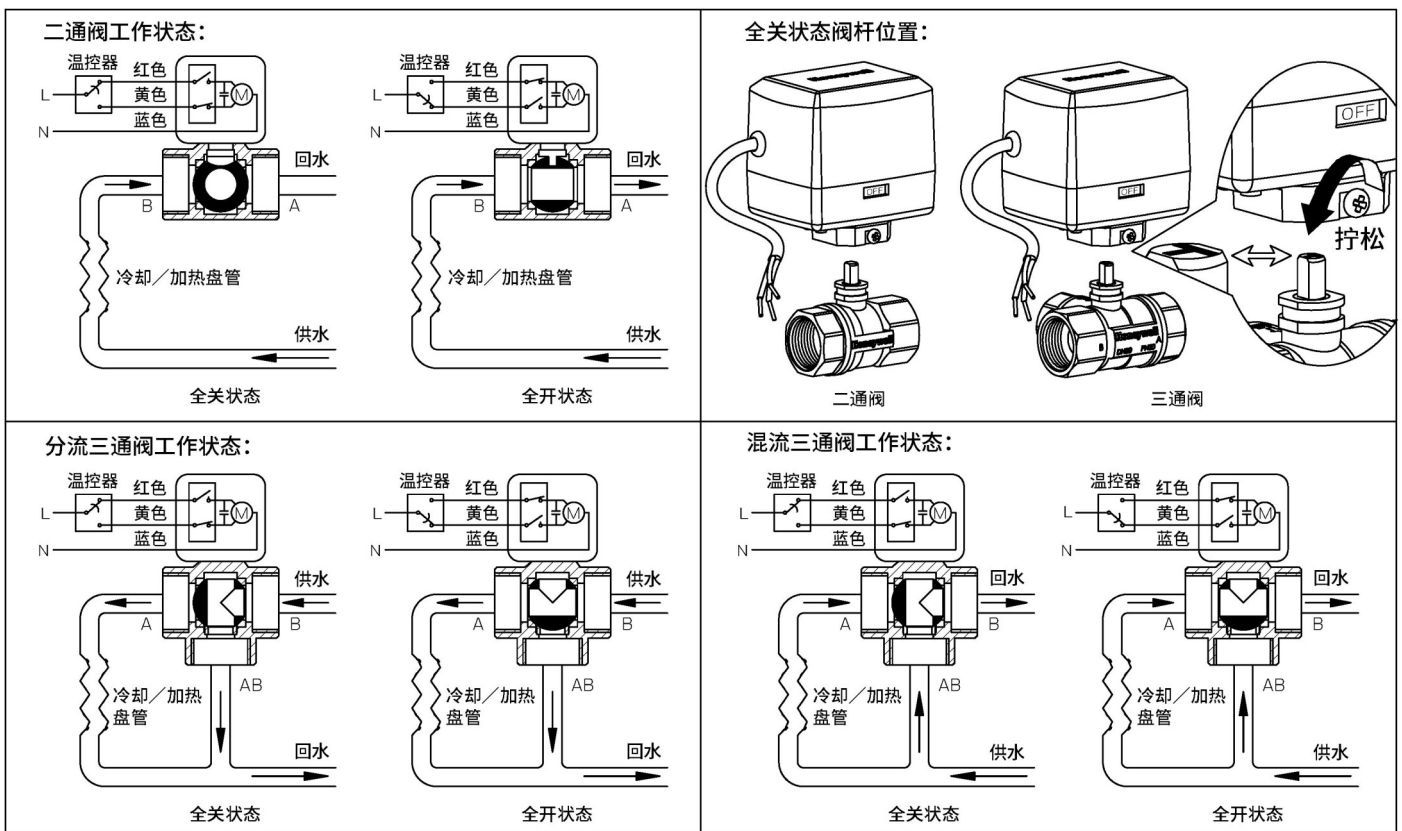


外观尺寸

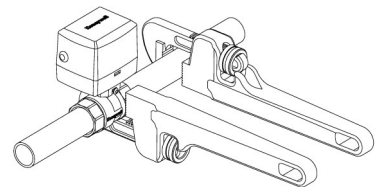


型号	尺寸 (mm)		
	A	B	C
VN82X15XX	51.50	100.00	—
VN82X20XX	60.00	100.00	—
VN82X25XX	66.00	105.00	—
VN82X32XX	77.50	105.00	—
VN83X15XX	56.00	100.00	42.00
VN83X20XX	67.00	100.00	53.00
VN83X25XX	83.00	105.00	62.00
VN83X32XX	87.00	105.00	72.00

安装注意事项



- 产品可以安装在竖直或水平管道上。
- 在竖直管道上，产品可以任意位置安装。
- 在水平管道上，执行器必须与管道中心线齐平或高于中心线。
- 确保在执行器上方留下足够的空间，以便拆卸维修。
- 为防止阀体破裂或接套松动，安装或拆卸时需使用板钳或扳手在球体的同一侧操作，如右图所示。
- VN8系列电动阀是为全封闭式系统设计。不建议在开式系统使用。在开式系统里，过多的氧气及氯气溶解会侵蚀阀体材料，形成过早的损坏。



霍尼韦尔环境自控产品(天津)有限公司
天津经济技术开发区南海路158号
邮编: 300457

Copyright © 2021 Honeywell International Inc

说明书如有变动, 不另行通知。

版本: A

Honeywell

2-way/3-way FCU Electric Control Valves

VN8 Series Installation Instructions

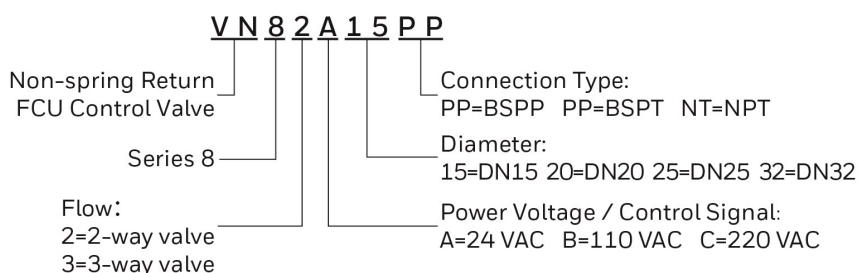
Specifications

Actuator		Valve Body	
Operation Voltage	220 VAC ± 10%; 110 VAC ± 10% 24 VAC ± 10% 50 / 60 Hz	Applicable Medium	Cold, hot water, or up to 50% glycol
Control Mode	ON/OFF type (three wires two controls), Non-spring return	Medium Temperature	0 °C – 94 °C
Operating Temperature	0 °C – 65 °C	Operating Temperature	0 °C – 65 °C
Operating Relative Humidity	10% – 90%RH, non-condensing	Operating Relative Humidity	10% – 90%RH
Power	≤ 6 W (50 Hz); ≤ 7.5 W (60 Hz)	Storage Conditions	-40 °C – 65 °C, 10% – 90%RH, non-condensing
Operating Time	Open: ≤ 15 s; Close: ≤ 15 s	Nominal Pressure	PN20
Protection Rating	IP42	Materials	Valve body or ball - Forged brass(HPb59-1)
			Valve stem - Stainless steel(OCr18Ni9)
			Ball Sealing - Poly tetrae fluoro ethylene PTFE
			O-ring seal - EPDM

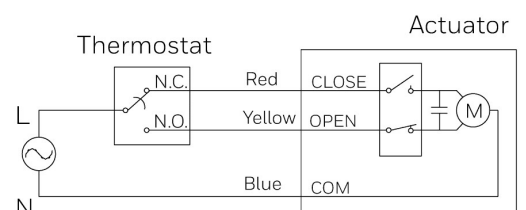
Ordering Information and Parameters

Models	Dimensions	Flow	Kv	Close-off Differential Pressure PSI (MPa)
VN82X15XX	1/2" (15 mm)	2-way	4.0 ± 10%	87 (0.6)
VN82X20XX	3/4" (20 mm)		7.0 ± 10%	
VN82X25XX	1" (25 mm)		8.0 ± 10%	
VN82X32XX	1-1/4" (32 mm)		10.0 ± 10%	
VN83X15XX	1/2" (15mm)	3-way	4.2 ± 10%	
VN83X20XX	3/4" (20mm)		8.0 ± 10%	
VN83X25XX	1" (25mm)		14.0 ± 10%	
VN83X32XX	1-1/4" (32mm)		14.0 ± 10%	

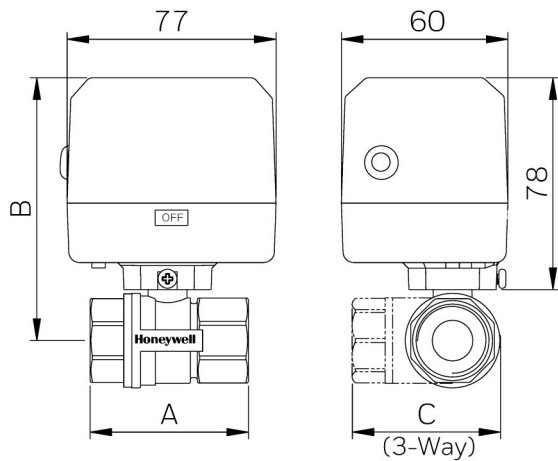
Product Naming



Wiring Diagram

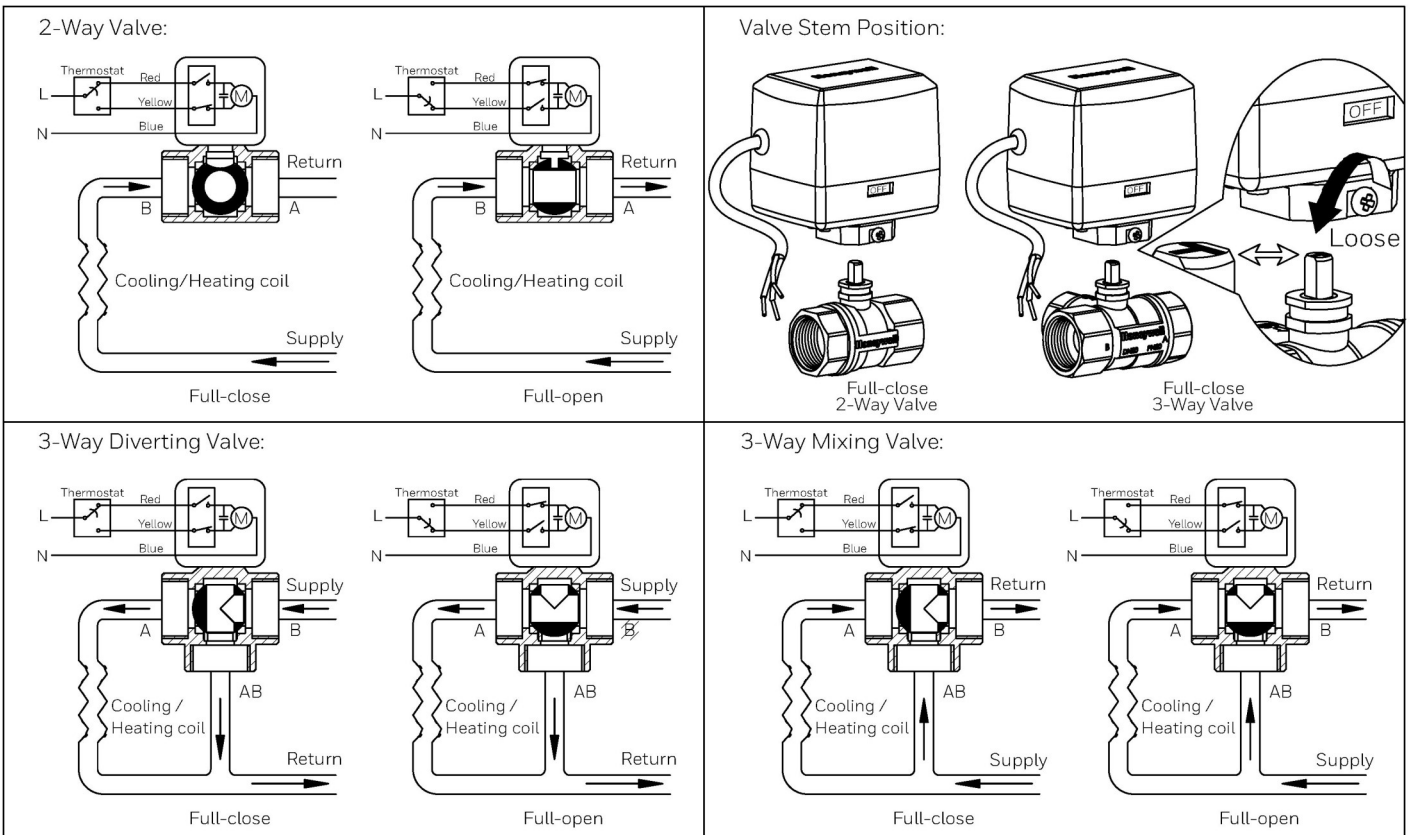


Dimensions (mm)

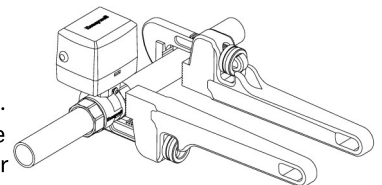


Models	Dimensions (mm)		
	A	B	C
VN82X15XX	51.5	100	—
VN82X20XX	60	100	—
VN82X25XX	66	105	—
VN82X32XX	77.5	105	—
VN83X15XX	56	100	42
VN83X20XX	67	100	53
VN83X25XX	83	105	62
VN83X32XX	87	105	72

Installation Guide



- The FCU valve can be installed on vertical or horizontal pipes.
- When mounting the actuator on the horizontal pipe, ensure to keep the actuator aligned to or above the center axis of the pipe.
- Ensure to leave enough room above the actuator for disassembly and maintenance.
- To avoid breaking the valve or unscrewing the end pieces, you need to operate the spanners on the same side of the valve when installing and removing the actuator (as shown in the right figure).
- VN8 series are designed for fully closed systems, which is not suggested to be used in an open system. In the open system, excessive dissolved oxygen and chlorine will erode the valve material and cause permanent damage.



Honeywell Environmental & Combustion Controls (Tianjin) Co.,Ltd.
 No. 158, NanHai Road Tianjin Economic-Technological Development Area
 Tianjin, 300457, P.R.C.

Copyright © 2021 Honeywell International Inc

Subject to change without notice.

Rev. A