

VN8系列电动二通阀/三通阀

安装说明

技术参数

执行器部分

工作电源：220Vac±10%，110Vac±10%
24Vac±10% 50/60Hz

控制方式：开关式(三线两控)，非弹簧复位功能

工作环境温度：0~65℃

工作相对湿度：10%~90%RH 无冷凝水

功率：≤6W(50Hz)；≤7.5W(60Hz)

动作时间：开启≤15s，关闭：≤15s

防护等级：IP42

阀体部分

适用介质：冷、热水或50%乙二醇溶液

介质温度：0~94℃

工作环境温度：0~65℃

工作相对湿度：10%~90%RH

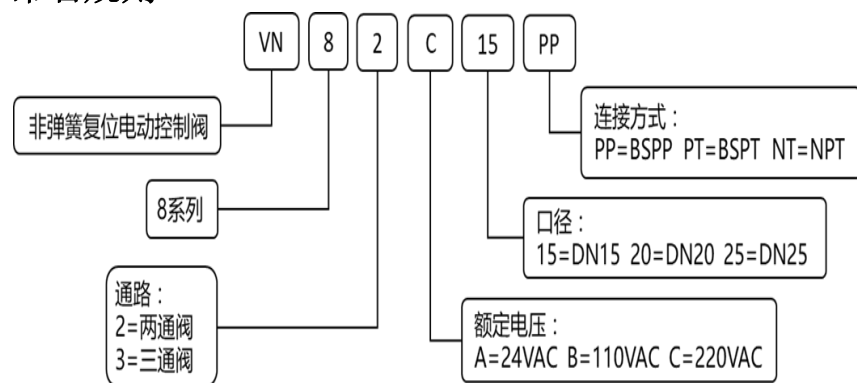
运输储存温度：-40~65℃，10%~90%RH 无冷凝水

公称压力：PN20

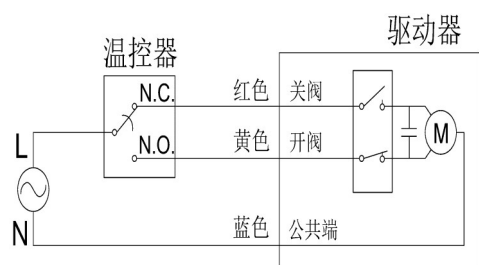
材质：阀体和球体 — 锻造黄铜 (HPb59-1)
阀杆 — 不锈钢 (0Cr18Ni9)
阀座 — 聚四氟乙烯 (PTFE)
O形密封圈 — 三元乙丙橡胶 (EPDM)

型号	尺寸	规格	Kv值	关闭压力PSI (MPa)
VN82X15XX	1/2" (15mm)	二通	4.0±10%	87 (0.6)
VN82X20XX	3/4" (20mm)		7.0±10%	
VN82X25XX	1" (25mm)		8.0±10%	
VN83X15XX	1/2" (15mm)	三通	A-B: 4.2±10% AB-B: 3.0±10%	
VN83X20XX	3/4" (20mm)		A-B: 8.0±10% AB-B: 4.0±10%	
VN83X25XX	1" (25mm)		A-B: 14.0±10% AB-B: 8.0±10%	

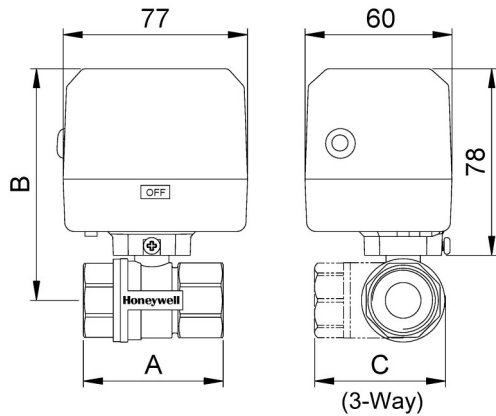
命名规则



接线图

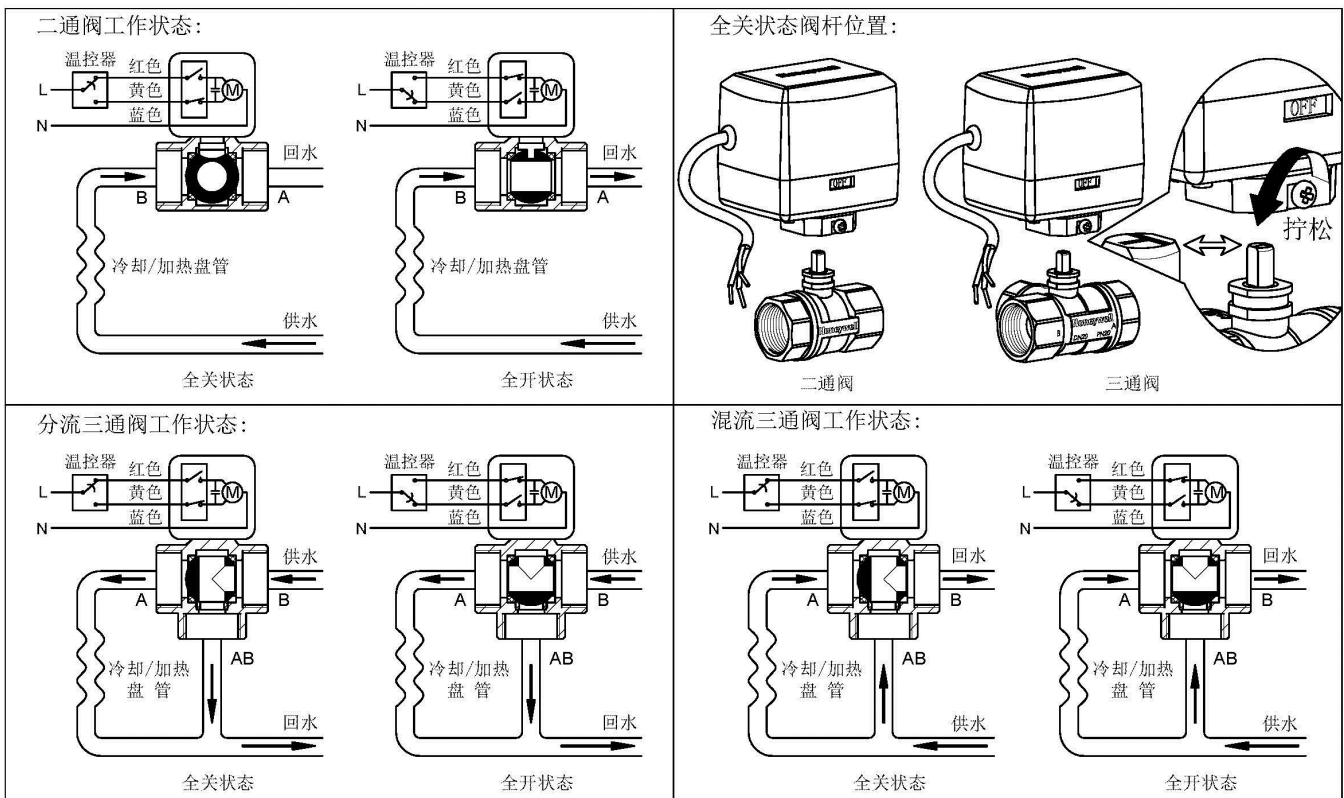


外观尺寸

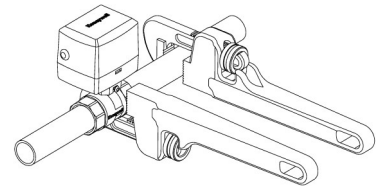


型号	尺寸 (mm)		
	A	B	C
VN82X15XX	51.5	100	—
VN83X15XX	56	100	42
VN82X20XX	60	100	—
VN83X20XX	67	100	53
VN82X25XX	66	105	—
VN83X25XX	83	105	62

安装注意事项



- 产品可以安装在竖直或水平管道上。
- 在竖直管道上，产品可以任意位置安装。
- 在水平管道上，执行器必须与管道中心线齐平或高于中心线。
- 确保在执行器上面留下足够的空间，以便拆卸维修。
- 为防止阀体破裂或接套松动，安装或拆卸时需使用板钳或板手在球体的同一侧操作，如右图所示。
- VN8系列电动阀是为全封闭式系统设计。不建议在开式系统使用。在开式系统里，过多的氧气及氯气溶解会侵蚀阀体材料，形成过早的损坏。



Honeywell

霍尼韦尔环境自控产品（天津）有限公司
 天津经济技术开发区南海路158号
 邮编：300457
 电话：+86-22-66287000
 传真：+86-22-25325214

说明书如有变动，不另行通知。

VN8 Series 2-way/3-way FCU Control Valves

INSTALLATION MANUAL

Technical

Actuators:

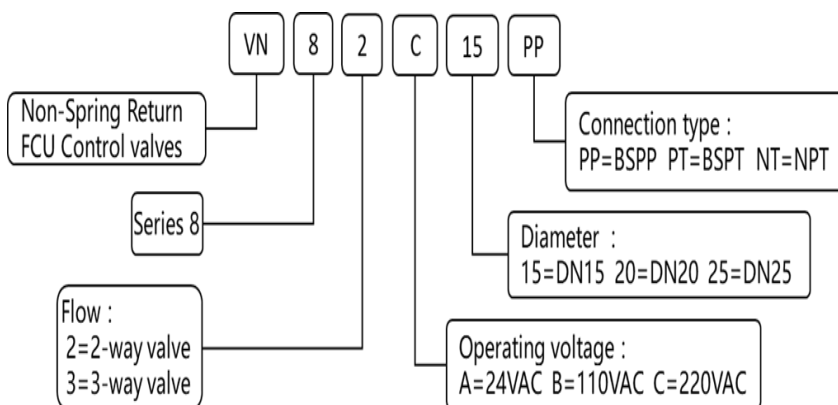
Operation voltage:	220Vac±10%, 110Vac±10% 24Vac±10% 50/60Hz
Control mode:	ON/OFF type(Three wire two control),Non-Spring return
Operating temperature:	0 ~ 65°C
Operating relative humidity:	10% ~ 90%RH, no condensating
Power:	≤6W(50Hz) ; ≤7.5W(60Hz)
Operating time:	Open≤15s Close≤15s
Protection rating:	IP42

Valves:

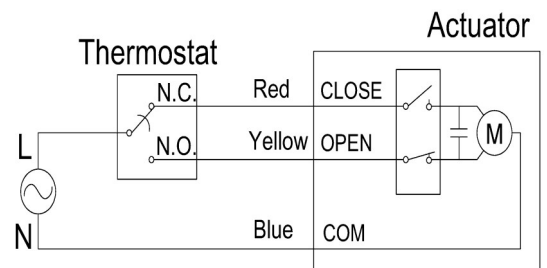
Applicable medium:	Cold or hot water, up to 50% glycol
Medium temperature :	0 ~ 94°C
Operating temperature:	0 ~ 65°C
Operating relative humidity:	10% ~ 90%RH
Storage conditions:	-40 ~ 65°C, 10% ~ 90%RH, no condensating
Nominal pressure:	PN20
Materials: Valve body or ball - Forged brass(HPb59-1)	
Valve stem - Stainless steel(0Cr18Ni9)	
Ball Sealing - Poly tetrae fluoro ethylene(PTFE)	
O-ring seal - EPDM	

Model	Dimension	Flow	Kv	Close-off Differential Pressure PSI (MPa)
VN82X15XX	1/2" (15mm)	2-way	4.0±10%	87 (0.6)
VN82X20XX	3/4" (20mm)		7.0±10%	
VN82X25XX	1" (25mm)		8.0±10%	
VN83X15XX	1/2" (15mm)	3-way	A-B: 4.2±10% AB-B: 3.0±10%	
VN83X20XX	3/4" (20mm)		A-B: 8.0±10% AB-B: 4.0±10%	
VN83X25XX	1" (25mm)		A-B: 14.0±10% AB-B: 8.0±10%	

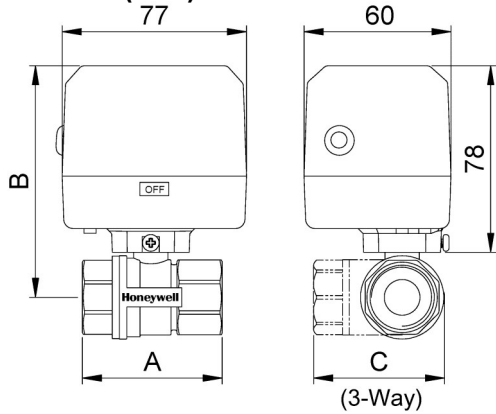
Product Identification System



Wiring

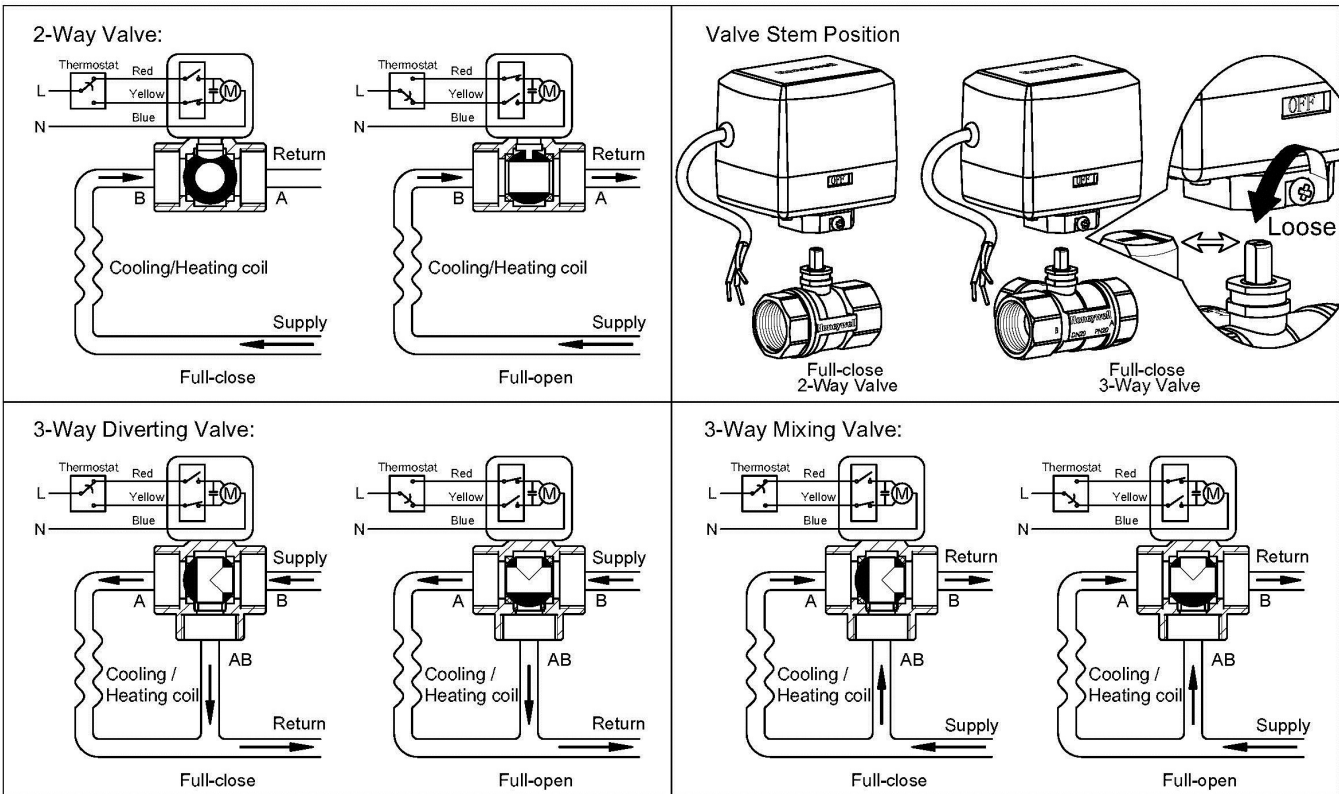


Dimensions (mm)

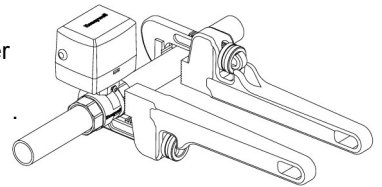


Model	Dimension (mm)		
	A	B	C
VN82X15XX	51.5	100	—
VN83X15XX	56	100	42
VN82X20XX	60	100	—
VN83X20XX	67	100	53
VN82X25XX	66	105	—
VN83X25XX	83	105	62

Installation Guide



- The FCU valve can be mounted in any position on a vertical line .
- If the valve is mounted horizontally, the powerhead must be even with or above the center line of the piping .
- Make sure to leave enough room above the powerhead to remove the cover for servicing .
- To avoid valve breaking or unscrew the end pieces, please operate the spanners on the same side of the valve body during the installation (as the figure on the right) .
- VN8 Series valves are designed for the application to closed system. Use in open system is not recommended. High levels of dissolved oxygen and chlorine round in open systems may erode the valve material and result in premature failure.



Honeywell

Honeywell Environmental & Combustion Controls (Tianjin) Co.,Ltd.

No. 158, NanHai Road

Tianjin Economic-Technological Development Area

Tianjin, 300457, P.R.C.

Phone: +86-22-66287000

Fax: +86-22-25325214

Subject to change without notice.