

VS8系列电动二通阀/三通阀

安装说明

技术参数

执行器部分

工作电源: 220Vac±10%, 110Vac±10%
24Vac±10% 50/60Hz

控制方式: 开关型, 带有弹簧复位功能, 断电常闭

工作环境温度: 0~50°C

工作相对湿度: 10%~90%RH 无冷凝水

功率: ≤7VA

动作时间:
开启: ≤20s
闭合: ≤15s

防护等级: IP20

阀体部分

适用介质: 冷、热水或50%乙二醇溶液

介质温度: 0~94°C

工作环境温度: 0~50°C

工作相对湿度: 10%~90%RH

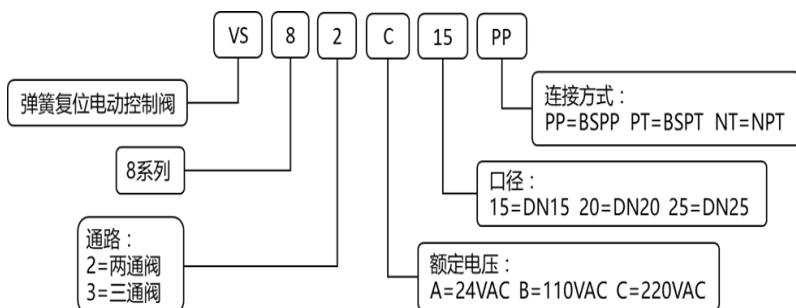
运输机储存温度: -20~65°C, 10%~90%RH 无冷凝水

公称压力: PN20

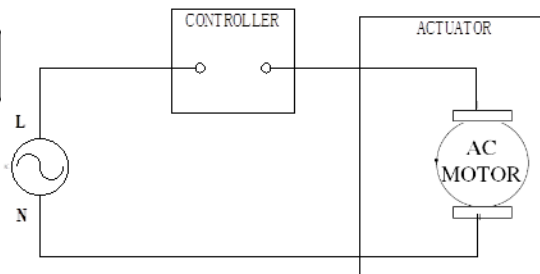
材质:
阀体: HPb59-2
阀杆: HPb59-2
密封阀瓣: EPDM

型号	尺寸	规格	Kv值	关闭压力PSI(MPa)
VS82X15XX	1/2" (15mm)	二通	1.7	58(0.4)
VS82X20XX	3/4" (20mm)		2.3	50(0.35)
VS82X25XX	1" (25mm)		3.5	30(0.2)
VS83X15XX	1/2" (15mm)	三通	1.7	58(0.4)
VS83X20XX	3/4" (20mm)		2.7	50(0.35)
VS83X25XX	1" (25mm)		3.5	30(0.2)

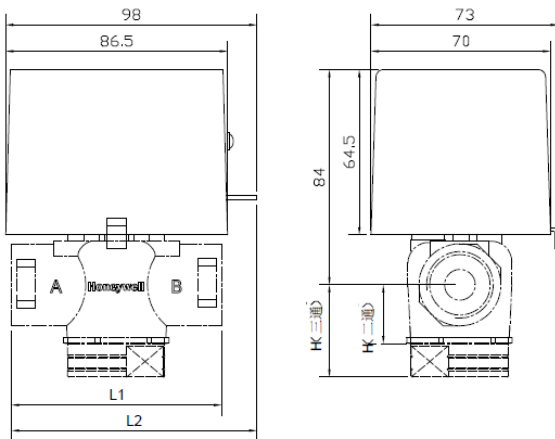
命名规则



接线图



外观尺寸



型号	尺寸 (mm)		
	L1	L2	H
VS82X15XX	64	87	23
VS82X20XX	82	96	23
VS82X25XX	88	99	26
VS83X15XX	64	87	30
VS83X20XX	82	96	36
VS83X25XX	88	99	41

安装注意事项

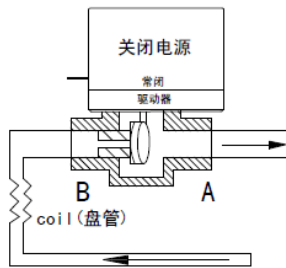


图 1: 二通阀(常闭)管道安装

三通只作与B口常闭布置；若用于常开，将阀移转180°即可。

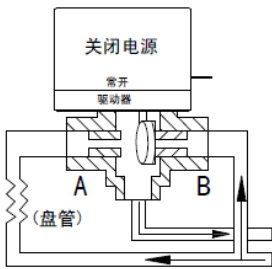


图 2: 三通阀混合布置(常开)管道安装

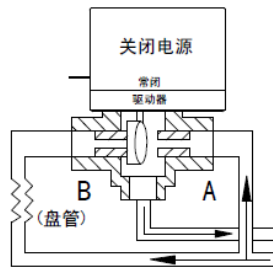


图 3: 三通阀混合布置(常闭)管道安装

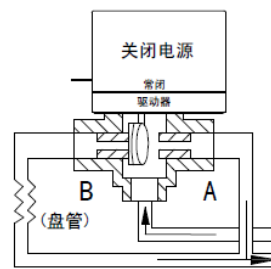


图 4: 三通阀分流布置(常闭)管道安装

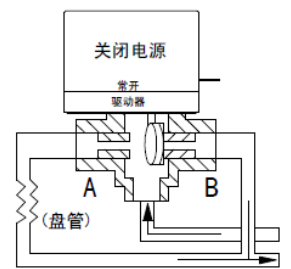


图 5: 三通阀分流布置(常开)管道安装

- 流向是由端“B”到端“A”，见图1。
- 当安装常闭型驱动器时，必须先把手动操作杆扳到“开”处。
- 当第一次使用时，手动操作杆会转移至自动位置上。
- VS8系列电动阀是为全封闭式系统设计。不建议在开式系统使用。在开式系统里，过多的氧气及氯气溶解会侵蚀阀体材料，形成过早的损坏。

Honeywell

霍尼韦尔环境自控产品(天津)有限公司
天津经济技术开发区南海路158号
邮编: 300457
电话: +86-22-66287000
传真: +86-22-25325214

说明书如有变动，不另行通知。

VS8 Series 2-way/3-way FCU Control Valves

INSTALLATION MANUAL

Technical

Actuators:

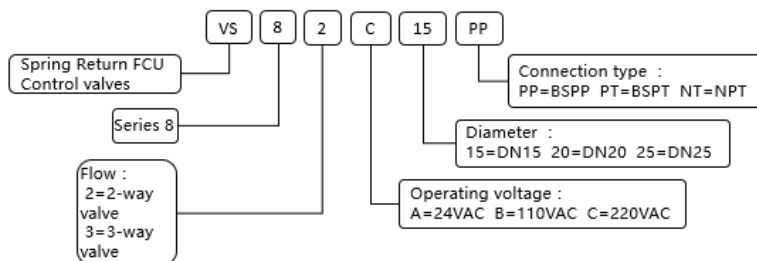
Operation voltage:	220Vac±10%, 110Vac±10% 24Vac±10% 50/60Hz
Control mode:	Spring return, normal close when power off
Operating temperature:	0~50°C
Operating relative humidity:	10%~90%RH, no condensating
Power:	≤7VA
Operating time:	Motor: ≤20s Spring: ≤15s
Protection rating:	IP20

Valves:

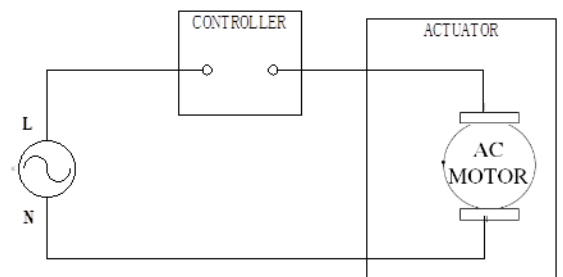
Applicable medium:	Cold or hot water, up to 50% glycol
Medium temperature :	0~94°C
Operating temperature:	0~50°C
Operating relative humidity:	10%~90%RH
Storage conditions:	-20~65°C, 10%~90%RH, no condensating
Nominal pressure:	PN20
Materials:	Valve body: HPb59-2 Valve stem: HPb59-2 Valve flap: EPDM

Model	Dimension	Flow	Kv	Close-off Differential Pressure (PSI/Mpa)
VS82X15XX	1/2" (15mm)	2-way	1.7	58(0.4)
VS82X20XX	3/4" (20mm)		2.3	50(0.35)
VS82X25XX	1" (25mm)		3.5	30(0.2)
VS83X15XX	1/2" (15mm)	3-way	1.7	58(0.4)
VS83X20XX	3/4" (20mm)		2.7	50(0.35)
VS83X25XX	1" (25mm)		3.5	30(0.2)

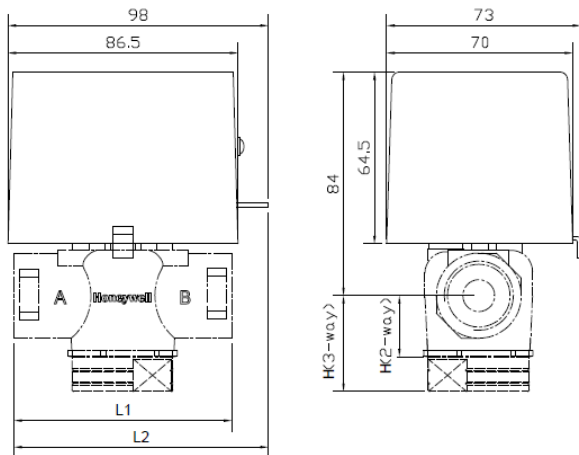
Product Identification System



Wiring



Dimensions (mm)



Model	Dimension (mm)		
	L1	L2	H
VS82X15XX	64	87	23
VS82X20XX	82	96	23
VS82X25XX	88	99	26
VS83X15XX	64	87	30
VS83X20XX	82	96	36
VS83X25XX	88	99	41

Installation Guide

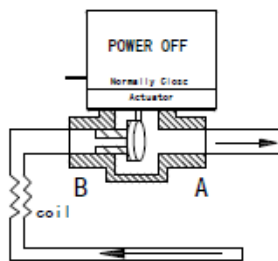


Fig.1:2-way Normally Closed to the Coil

3-way is only configured as N.C. to B port for N.O. configuration to the coil. simply turn the valve around.

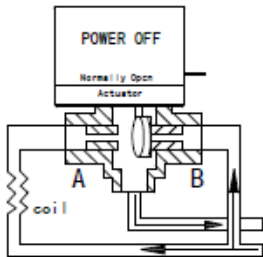


Fig.2:3-way valve in Mixing Configuration, Normally Open to coil

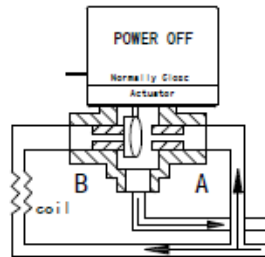


Fig.3:3-way valve in Mixing Configuration, Normally Closed to coil

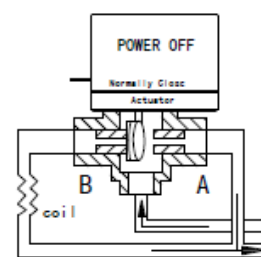


Fig.4:3-way valve in Diverting Configuration, Normally Closed to coil

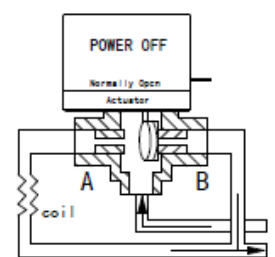


Fig.5:3-way valve in Diverting Configuration, Normally Open to coil

- The flow direction is from "B" to "A", refer to figure 1.
- When installing the actuator of normal-closed valve, it must be placed in the open condition by manual operating lever.
- The manual operating lever of the actuator will move to the automatic position when the valve is operated first time.
- VS8 Series valves are designed for the application to closed system. Use in open system is not recommended. High levels of dissolved oxygen and chlorine round in open systems may erode the valve material and result in premature failure.

Honeywell

Honeywell Environmental & Combustion Controls (Tianjin) Co.,Ltd.

No. 158, NanHai Road

Tianjin Economic-Technological Development Area

Tianjin, 300457, P.R.C.

Phone: +86-22-66287000

Fax: +86-22-25325214

Subject to change without notice.